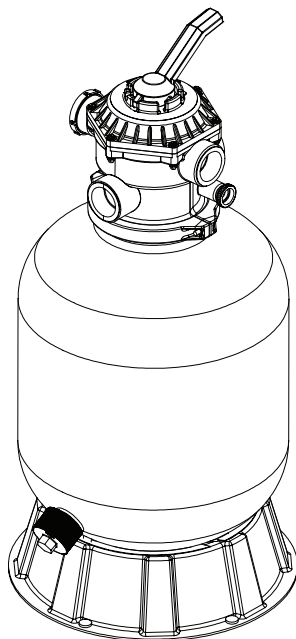




**STA-RITE®**

# SAND DOLLAR® AND CRISTAL-FLO™ II TOP MOUNT SAND FILTER



ENGLISH

FRANÇAIS

ESPAÑOL

## INSTALLATION AND USER'S GUIDE

IMPORTANT SAFETY INSTRUCTIONS  
*READ AND FOLLOW ALL INSTRUCTIONS*  
SAVE THESE INSTRUCTIONS

## TECHNICAL SUPPORT

---

If you have questions about ordering Pentair Aquatic Systems replacement parts, and pool products, please contact:

### Technical Support, USA

**Sanford, North Carolina** (8 A.M. to 4:30 P.M. ET)

**Moorpark, California** (8 A.M. to 4:30 P.M. PT)

**Phone:** (800) 831-7133

**Fax:** (800) 284-4151

### Web site

Visit [www.pentairpool.com](http://www.pentairpool.com) or [www.staritepool.com](http://www.staritepool.com) for information about Pentair products.

## TABLE OF CONTENTS

---

|                                                        |           |
|--------------------------------------------------------|-----------|
| <b>Important Warning and Safety Instructions .....</b> | <b>ii</b> |
| <b>Filter Overview .....</b>                           | <b>1</b>  |
| <b>Installation .....</b>                              | <b>2</b>  |
| <b>Operation and Maintenance .....</b>                 | <b>5</b>  |
| Initial Start-Up                                       | 5         |
| General Maintenance                                    | 6         |
| Cleaning                                               | 7         |
| Filter and Control Valve Functions                     | 7         |
| Filter Backwash Procedure                              | 8         |
| Chemical Cleaning                                      | 9         |
| Winterizing the System                                 | 10        |
| <b>Troubleshooting .....</b>                           | <b>11</b> |
| <b>Replacement Parts .....</b>                         | <b>13</b> |
| Filter Replacement Parts                               | 13        |
| 1.5" Valve Replacement Parts                           | 14        |
| 2" Valve Replacement Parts                             | 15        |

## IMPORTANT WARNING AND SAFETY INSTRUCTIONS

**DANGER**

**SERIOUS BODILY INJURY OR DEATH CAN RESULT IF THIS SAND FILTER IS NOT INSTALLED AND USED CORRECTLY.**

**DANGER**

**INSTALLERS, POOL OPERATORS AND POOL OWNERS MUST READ THESE WARNINGS AND ALL INSTRUCTIONS BEFORE USING THIS SAND FILTER.**

**WARNING**

This sand filter is intended for use in swimming pool applications.

**WARNING**

Most states and local codes regulate the construction, installation, and operation of public pools and spas, and the construction of residential pools and spas. It is important to comply with these codes, many of which directly regulate the installation and use of this product. Consult your local building and health codes for more information.



**IMPORTANT NOTICE - Attention Installer:** This Installation and User's Guide ("Guide") contains important information about the installation, operation and safe use of this sand filter. This Guide should be given to the owner and/or operator of this equipment.

**WARNING**

Before installing this product, read and follow all warning notices and instructions in this Guide. Failure to follow warnings and instructions can result in severe injury, death, or property damage. Call (800) 831-7133 for additional free copies of these instructions. Please refer to [www.pentair.com](http://www.pentair.com) for more information related to this product.

**DANGER**

Water temperature in excess of 100° F (37.7° C) may be hazardous to your health. Prolonged immersion in hot water may induce hyperthermia. Hyperthermia occurs when the internal temperature of the body reaches a level several degrees above normal body temperature of 98.6° F (37° C). Effects of hyperthermia include: (1) Unawareness of impending danger. (2) Failure to perceive heat. (3) Failure to recognize the need to leave the spa. (4) Physical inability to exit the spa. (5) Fetal damage in pregnant women. (6)

Unconsciousness resulting in danger of drowning. The use of alcohol, drugs, or medication can greatly increase the risk of fatal hyperthermia in hot tubs and spas.

**WARNING**

Do not permit children to use or operate this sand filter.

**WARNING**

When setting up pool water turnovers or flow rates the operator must consider local codes governing turnover as well as disinfectant feed ratios.

**WARNING**

DO NOT increase pump size; this will increase the flow rate through the system and may exceed the maximum flow rate stated on the drain cover.

**WARNING**

For filters intended for use in other than single-family dwellings, a clearly labeled emergency switch shall be provided as part of the installation. The switch shall be readily accessible to the occupants and shall be installed at least 5 feet (1.52 m) away, adjacent to, and within sight of, the filter.

## IMPORTANT WARNING AND SAFETY INSTRUCTIONS



**High Pressure from the Sand Filter can cause severe injury or major property damage due to tank separation.**

Release all pressure and read instructions before working on the sand filter.

If the filter clamp is adjusted under pressure, the tank can separate, causing serious injury or major property damage.



**BEFORE WORKING ON FILTER!**

- (1) Stop pump.
- (2) Open air release valve.
- (3) Release all pressure from system.



**RISK OF ELECTRICAL SHOCK OR ELECTROCUTION:**

**PUMPS REQUIRE HIGH VOLTAGE WHICH CAN SHOCK, BURN, OR CAUSE DEATH.**

**BEFORE WORKING ON PUMP!**

Always disconnect power to the pool pump at the circuit breaker from the pump before servicing the pump. Failure to do so could result in death or serious injury to service person, pool users or others due to electric shock.



A pool or spa pump must be installed by a qualified pool and spa service professional in accordance with the National Electrical Code and all applicable local codes and ordinances. Improper installation may create an electrical hazard which could result in death or serious injury to pool users, installers, or others due to electrical shock, and may also cause damage to property.



Pumps are not a substitute for properly installed and secured pool drain covers. An ANSI/ASME A112.19.8 approved anti-entrapment drain cover must be used for each drain. Pools and spas should utilize a minimum of two drains per pump. If a drain cover becomes loose, broken or is missing, close the pool or spa immediately and shut off the pump until an approved anti-entrapment drain cover is properly installed with the manufacturer's supplied screws.

**For information about the Virginia Graeme Baker Pool and Spa Safety Act, contact the Consumer Product Safety Commission at (301) 504-7908 or visit [www.cpsc.gov](http://www.cpsc.gov).**

**Important Note: Always turn off all power to the pool pump before installing the cover or working on any suction outlet.**

## FILTER OVERVIEW

Your high rate sand filter is designed to produce clear, sparkling water and operate for years with a minimum of maintenance when installed, operated and maintained in accordance with these instructions. Your filter uses special filter sand to remove dirt particles from the water. Dirt is collected in the filter by the sand bed as water flows through the filter. Water enters the filter through the valve on top of the filter and is distributed evenly downward across the sand bed. The dirt is removed by the sand and the clean water flows through the piping (laterals) at the bottom of the filter, up through the stand pipe, back to the valve on top of the filter, where the clean water is returned to the pool through the piping or hoses.

### **WARNING**

This filter operates under high pressure. When any part of the circulating system (e.g., clamp, pump, filter, valves, etc.) is serviced, air can enter the system and become pressurized. Pressurized air can cause the lid or control valve to separate which may result in serious injury, death, or property damage. To avoid this potential hazard, follow these instructions.

1. Before repositioning valves and before beginning the assembly, disassembly, or adjustment of the clamp or any other service of the circulating system:
  - (a) Turn the pump off and shut off any automatic controls to ensure the system is not inadvertently started during the servicing;
  - (b) Open manual air relief valve;
  - (c) Wait until all pressure is relieved, pressure gauge must read zero (0).
2. Whenever installing the filter clamp, follow the filter valve and clamp installation instructions exactly.
3. Once service on the circulating system is complete, follow system restart instructions exactly.
4. Maintain circulation system properly. Replace worn or damaged parts immediately (e.g., clamp, pressure gauge, relief valve, o-rings, etc.).
5. Be sure that the filter is properly mounted and positioned according to instructions provided.

After a period of time, dirt will accumulate in the filter causing a resistance to the flow of water through the filter. This resistance results in a diminished flow of water and a rise in the pressure of the filter. Eventually the filter sand will have removed so much dirt and the filter pressure risen to such a point that it will be necessary to clean (backwash) your filter.

By setting the valve on top of the filter to the “Backwash” position, the flow of water is automatically reversed through the filter so that the flow of water is directed to the bottom of the filter, up through the sand bed, flushing the dirt and debris out through the waste line. Once the backwash procedure is complete, the valve is manually returned to its “Filter” position to resume normal filtration. The filter’s function is to remove suspended matter from the water. It does not sanitize the water. For sparkling clear water, the water must be sanitized as well as balanced. Pool chemistry is a specialized area, and you should consult your local pool service specialist for specific details. In general, proper pool sanitation requires a free chlorine level of 1 to 2 PPM and a pH range of 7.2 to 7.6. Your filtration system should be designed to meet your local health codes. As a minimum, you must be sure that your system will turnover the total volume of water in your pool at least twice in a twenty-four hour period.

**⚠ WARNING**

Failure to operate your filter system or inadequate filtration can cause poor water clarity obstructing visibility in your pool. Poor water clarity may obscure objects in the water which while swimming and diving could cause serious personal injury or death. Never swim in a pool with poor water clarity.

## INSTALLATION

---

1. **Read and understand all instructions before attempting to install, operate or maintain your pump and sand filter system.**
2. Provide space and lighting for routine maintenance access. Locate the system close to the pool. Install electrical controls (e.g., on/off switches, timers, control systems, etc.) at least five (5) feet from the filter. This will allow you enough room to stand clear of the filter during system start up.
3. Remove all individual components from carton and inspect for any visible damage. If carton or parts are damaged contact seller or freight company.

**⚠ WARNING**

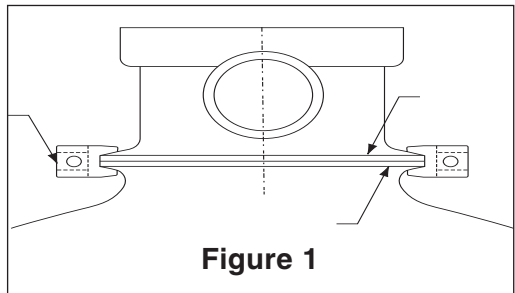
Blockage of suction fittings can cause serious or fatal injury due to drowning. To reduce the risk of injury, do not permit children to use this product.

**⚠ WARNING**

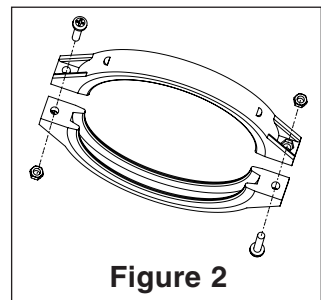
Never work on the pump while it is running or power is still connected. High voltage can cause serious or fatal injury. A suitable ground fault interrupter (GFCI) should always be installed at the power supply source of this unit. Be sure to ground the motor before connecting to electrical AC power supply. Failure to ground the motor can cause serious or fatal electrical shock hazard. **DO NOT** ground to a gas supply pipe line.

4. The filter is ready to be moved into its final position. The system must be placed on level solid earth. When the filter is filled with sand and water it can weigh several hundred pounds.
5. Be certain to install the precise amount of filter sand listed on your filter name plate. You must use only No. 20 standard silica sand having a uniformity coefficient of 1.75 or less. No. 20 silica sand has a particle size of .018-.022 inches (.45 to .55 mm). Before pouring the sand into the filter, look inside and check the lower under drain for broken or loose laterals (or fingers), which may have been accidentally damaged by rough handling during shipment. Replace any broken parts if necessary.
6. Install the sand guide in the top of the filter and fill the tank about half full of water. Pour the sand into the top of the filter at a slow rate so that the weight of the sand does not damage the laterals. After the required amount of sand has been installed, remove and discard the sand guide. Wash away all sand around the opening at the top of the tank.
7. Be sure top of filter is free of any sand or debris and valve o-ring is in place on valve body. Install valve so that the port locations are in the desired final position. Valve ports are labeled with the location of where they should be connected i.e. pump port must go to pump discharge, waste port must go to the waste line and return port must go to the pool return.

8. Ensure that the valve is firmly pushed into the top of the tank and that the flange of the tank and the flange of the valve are contacting each other. See **Figure 1**.



9. The plastic clamp can now be installed. Place the clamp half over the valve flange and the tank flange as shown in **Figure 1**. Insert the clamp screws and nuts into the clamp making sure that the nuts are located in the special hexagonal retainer slots on the clamps. See **Figure 2**.



10. Tighten clamp screws firmly and visually check the valve tank and clamp assembly to insure that the joint is correctly assembled.

**⚠ WARNING**



**High Pressure:**  
Improper tank valve assembly could cause the valve to separate and cause serious injury and/or major property damage.

11. The filter unit has a maximum operating pressure listed on the filter name plate. **DO NOT OPERATE** this unit above the maximum operating pressure of the valve or the filter. Never connect the filter and valve unit to a pump which can generate a pressure that exceeds the operating pressure of the filter or valve.
12. Use sealant on all tapered male connections of pipes and fittings. Use only sealant compounds suited for plastic pipe. Support pipe to prevent strains on filter, pump or valve. **DO NOT USE PETROLEUM BASED PRODUCTS.** NOTICE: All valve internal threads are tapered except the air bleeder connection. Do not over tighten tapered thread connections.
13. Install pressure gauge in 1/4"NPT port directly across from the pump port of the valve.
14. Never store pool chemicals within ten (10) feet of your pool filter, pump or valve. Pool chemicals should always be stored in a cool, dry, well ventilated area.

**⚠ WARNING**

Chemical fumes and/or spills can cause serious corrosion to the filter and pump structural components. Structurally weakened components can cause filter, pump or valve attachments to separate and could cause serious bodily injury or property damage.

**⚠ WARNING**

The system's centrifugal pump operates with electrical voltage, and can generate both vacuum and pressure in the water system. When properly wired and plumbed, this pump will operate in a safe manner.

**⚠ WARNING**

High voltage can cause serious or fatal injury. Always install a suitable GFCI at the power source of this unit as an added safety precaution. Article 681-31 of the NEC requires that a GFCI be used if this pump is used with a storable pool.

15. Avoid over tightening the pipe threads when connecting fittings to the pump or valve. Proper procedure is to apply a pipe sealant to the thread and then install hand tight plus one turn. **DO NOT OVER TIGHTEN.**



# OPERATION AND MAINTENANCE

## Initial Start-Up

1. Be sure the correct amount of silica filter sand is in the tank and that all connections have been made and are secure.
2. Verify that the backwash is open so that water is free to flow from the pool and out the backwash line. Set the control valve to “Backwash” position.

### **⚠ DANGER**



This filter operates under pressure. With the valve clamped properly and operated without air in the system, this filter will operate in a safe manner. Air entering the filter and the valve not clamped correctly can cause the valve to separate, which could cause serious personal injury and/or property damage.

### **⚠ WARNING**

Always turn pump off before changing valve positions. Changing valve positions while the pump is running can damage the control valve, which may cause serious injury or property damage.

3. Check the valve clamp on the filter for proper installation. **For valve clamp installation instructions, see “Installation” on page 2.**

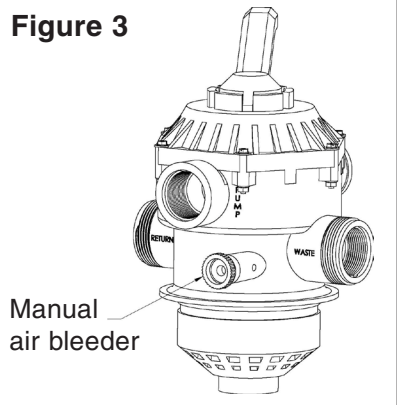
4. Open the manual air bleeder. (See **Figure 3** for air bleeder location). **STAND CLEAR OF THE FILTER.** Prime and start the pump according to the pump instructions allowing the filter tank to fill with water. Close the air bleeder on the filter when a steady stream of water emerges.

5. Once the water flow is steady out the waste line, run the pump for at least two minutes. This initial backwashing of the filter is recommended to remove any impurities of fine sand particles in the silica sand media.

6. Turn the pump off and set valve to “Rinse” position. Ensure that all pool suction and return lines are open so that the water is free to flow from the pool to waste. **STAND CLEAR OF FILTER** and start the pump.

7. Run the pump for at least two minutes.

**Figure 3**



8. Turn the pump off and set valve to “Filter” position. Be sure that all pool suction and return lines are open so that water is free to flow from and to the pool.
9. Open the manual air bleeder on the filter. **STAND CLEAR OF FILTER** and start the pump.
10. Close the air bleeder on the filter when a steady stream of water emerges.
11. The filter has now started its filtering cycle. Verify that water is returning to the pool and take note of the operating pressure. The original starting pressure is \_\_\_\_\_ psi with the filter clean.
12. Check the system for water leaks. If a leak is found, shut the pump off before correcting the leak.
13. As the filter removes dirt and impurities from the pool water, the accumulation will cause the filter pressure to rise and flow to diminish. When the pressure gauge reading is 10 psi higher than the clean filter reading noted above, it is time to backwash the filter.

## General Maintenance

Proper care and maintenance of the pump and sand filter system will add many years of enjoyment to the pool. Follow these suggestions for long trouble free operation.

1. To clean the exterior of the pump and sand filter system of dust and dirt, wash with mild detergent and water and then hose off. Do not use solvents.
2. If internal filter maintenance is required, sand may be removed by removing the entire drain spigot from the bottom of the filter and flushing with a garden hose.
3. The filter is a pressure vessel and should never be serviced while under pressure. Always relieve tank pressure and open air bleeder on filter before attempting to service the filter.
4. When restarting the filter always open the manual air bleeder on the filter and **STAND CLEAR OF FILTER**.
5. The strainer basket in the pump should be inspected and cleaned twice each week. Remove the clear lid and the basket, and clean debris from basket. Inspect the lid o-ring; if damaged, replace. The pump seal requires no lubrication. The pump motor should only be serviced by a motor service center.

## Cleaning

1. The filter on a new pool should be backwashed, and cleaned after the first 48 hours of operation to clean out construction debris. There are three different ways to identify when the filter needs backwashing:
  - a) The most accurate indicator on pool systems with a flow meter is to backwash when the flow decreases 30% from original (clean filter) flow. For example, if the original flow was 60 GPM, the filter should be backwashed when the flow is reduced by about 20 GPM (or 30%) to 40 GPM.
  - b) A more subjective and less accurate indicator is to observe the amount of water flowing from the flow directionals located in the wall of the pool. The filter should be backwashed once it is detected that the flow has been reduced.
  - c) The most commonly used, but least accurate indicator is to backwash when the filter gauge reading increases 10 psi over the initial (clean filter) reading.
2. It is important not to backwash the filter solely on a timed basis such as every three (3) days. It is also important to note that backwashing too frequently actually causes poor filtration. Factors like weather conditions, heavy rains, dust or pollen, and water temperatures all affect the frequency of backwashing. As you use your pool, you will become aware of these influences.

## Filter and Control Valve Functions

**FILTER:** From pump, through valve, downward through filter sand bed, up through center pipe to valve return port, and back to the pool for normal filter action and vacuuming pool through filter.

**BACKWASH:** From pump, through valve, down through center pipe, up through filter sand to valve, and out waste port. This position is used for cleaning filter by reversing flow.

**RINSE:** From pump, through valve, downward through filter sand, up through center pipe to valve and out waste port. This position is used for start up cleaning and resettling filter bed after backwashing.

**WASTE:** From pump, through valve, bypasses filter and goes to waste port. This position is for vacuuming directly to waste, lowering pool level, or draining pool.

**CLOSED: NO FLOW IN THIS POSITION - DO NOT USE THIS SETTING WHILE PUMP IS OPERATING.**

**RECIRCULATE:** From pump, through valve, bypasses filter and goes to return port and back to pool. This position is for circulating water without going through filter.

**WINTERIZING:** Valve position for a winterized filter, see page 10.

## Filter Backwash Procedure



Failure to operate your filter system or inadequate filtration can cause poor water clarity obstructing visibility in your pool. Poor water clarity may obscure objects in the water which while swimming and diving could cause serious injury or death. Never swim in a pool with poor water clarity.



**To prevent equipment damage and possible injury, always turn pump off before changing valve position.**

1. Stop pump.
2. Ensure that the suction and backwash lines are open so that water is free to come from the pool and flow out the backwash line. Set control valve to “Backwash” position.
3. STAND CLEAR OF FILTER and start pump.
4. Backwash filter for approximately three (3) minutes or until backwash water is clean.
5. Stop pump and set valve to “Rinse” position.
6. STAND CLEAR OF FILTER and start pump..
7. Rinse filter for approximately 30 seconds.
8. Stop pump and set valve to “Filter” position.
9. Ensure the pool return line is open so that water may flow freely from the filter back to the pool.
10. Open manual air bleeder on filter. STAND CLEAR OF FILTER and start pump.
11. Close manual air bleeder on filter when a steady stream of water emerges from the bleeder.
12. The filter has now started its filtering cycle. Verify the water is returning to the pool and take note of the filter pressure.
13. The filter pressure in Step 12 above should not exceed the pressure originally observed on the filter when it was initially started. If after backwashing, the pressure is 4 to 6 psi above the start condition it will be necessary to chemically clean the sand bed.

## Chemical Cleaning

1. It is recommended that a specialty filter cleaning solution be used. These cleaners will remove oils, scale and rust from the sand bed in one cleaning operation.
2. Mix the solution following the manufacturer's instructions on the label.
3. Backwash the filter with the valve as described above.
4. If the filter is below pool level, switch pump off and close the appropriate valves to prevent draining the pool.
5. Switch off pump, open filter drain and allow filter to empty. Place valve in "Backwash" position.
6. After the filter has drained, close the filter drain and remove the pump strainer pot lid.
7. Be sure the backwash lines are open.
8. Switch the pump on and slowly pour the cleaning solution into the pump strainer with the pump running. If filter is below pool, open shut off valve slightly to allow pump to run.
9. Continue adding solution until the sand bed is saturated with cleaning solution.
10. Switch off the pump and leave filter in "Backwash" position. Allow the filter to stand overnight (12 hours).
11. Replace the pump lid and follow backwash procedure as described above.
12. Do not allow cleaning solution to get into the pool.

## Winterizing the System



Allowing water to freeze in the system will damage the system and cause potential water damage/flooding and potential property damage.

1. In areas that have freezing winter temperatures, the pool equipment must be winterized to protect it from damage.
2. Backwash the filter. Switch off the pump and set the control valve to the "Winterize" position.
3. Remove the drain port cap at the bottom of the filter.

**IMPORTANT NOTE: Remove drain port cap only for draining water from filter. Removing the entire fitting will allow sand to drain also. The filter will drain slowly. Leave the drain port cap off and store it during the time the system is shut down.**



The Multiport Valve should be left in the "Winterize" position during the shutdown season so that the rubber seal of the valve diverter has no pressure on it. Failure to do so can damage the valve diverter seal which can cause property damage from leaking water.

4. Drain all appropriate system piping.
5. It is recommended that the pump and filter be covered with a tarpaulin or plastic sheet to inhibit deterioration from the weather. DO NOT wrap the pump motor with plastic.
6. In installations where the pump cannot be drained a 40% Propylene Glycol 60% water solution will protect to -50° F (-45.5° C)

**Note: Do not use anti-freeze solutions except Propylene Glycol; as other anti-freeze are highly toxic and will damage the pump.**

## TROUBLESHOOTING

| Problem                                   | Cause                                                                                                                                                                                                                                      | Action                                                                                                                                                                                                                                                                                                               |
|-------------------------------------------|--------------------------------------------------------------------------------------------------------------------------------------------------------------------------------------------------------------------------------------------|----------------------------------------------------------------------------------------------------------------------------------------------------------------------------------------------------------------------------------------------------------------------------------------------------------------------|
| <b>Pool water not sufficiently clean.</b> | <ol style="list-style-type: none"> <li>1. Pool chemistry not adequate to inhibit algae growth.</li> <li>2. Too frequent a backwash cycle.</li> <li>3. Improper amount or wrong sand size.</li> <li>4. Inadequate turnover rate.</li> </ol> | <p>Maintain pool chemistry or consult service technician.</p> <p>Allow pressure to build to 10PSI above clean filter condition before backwashing.</p> <p>Check sand bed depth and sand size or consult pool service technician.</p> <p>Run system for longer time or consult dealer or pool service technician.</p> |
| <b>Higher filter pressure.</b>            | <ol style="list-style-type: none"> <li>1. Insufficient backwashing.</li> <li>2. Sand bed plugging with mineral deposits.</li> <li>3. Partially closed valve or restriction.</li> </ol>                                                     | <p>Backwash until effluent runs clear.</p> <p>Chemically clean filter.</p> <p>Open valve or remove obstruction in return line.</p>                                                                                                                                                                                   |
| <b>Short filter cycles.</b>               | <ol style="list-style-type: none"> <li>1. Improper backwashing.</li> <li>2. Pool chemistry not adequate to inhibit algae growth.</li> <li>3. Plugged sand bed.</li> <li>4. Flow rate too high.</li> </ol>                                  | <p>Backwash until effluent runs clear.</p> <p>Maintain pool chemistry or consult pool service technician.</p> <p>Manually remove top 1" surface of sand bed and chemically clean as required.</p> <p>Restrict flow to capacity of filter.</p>                                                                        |

## Troubleshooting (Cont.)

|                                                                    |                                                                                                                                                                                   |                                                                                                                                                                   |
|--------------------------------------------------------------------|-----------------------------------------------------------------------------------------------------------------------------------------------------------------------------------|-------------------------------------------------------------------------------------------------------------------------------------------------------------------|
| <p><b>Return flow to pool diminished, low filter pressure.</b></p> | <ol style="list-style-type: none"> <li>1. Obstruction in the pump hair and lint pot.</li> <li>2. Obstruction in pump.</li> <li>3. Obstruction in suction line to pump.</li> </ol> | <p>Clean basket in strainer.</p> <p>Disassemble and clean pump.</p> <p>Clean skimmer basket. Remove obstruction in lines.</p> <p>Open valves in suction line.</p> |
| <p><b>Sand returning to pool.</b></p>                              | <ol style="list-style-type: none"> <li>1. Broken underdrain lateral.</li> <li>2. Backwash rate too high.</li> </ol>                                                               | <p>Replace broken or damaged laterals.</p> <p>Reduce backwash flow rate.</p>                                                                                      |

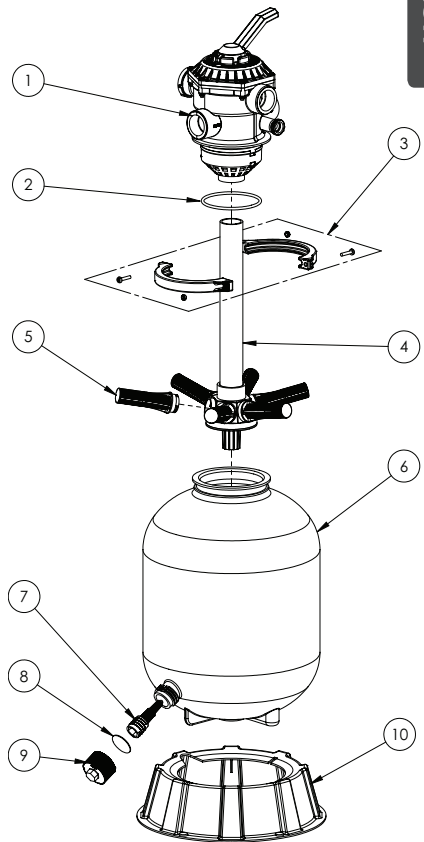


# REPLACEMENT PARTS

## Filter Replacement Parts

| Item # | Description                                   | Sand Dollar Part # | Cristal-Flo Part # |
|--------|-----------------------------------------------|--------------------|--------------------|
| 1      | Valve, 1.5" (See page 14 for Valve Breakdown) | 262506             |                    |
|        | Valve, 2" (See page 15 for valve breakdown)   | 263085             |                    |
| 2      | O-Ring, Valve Body                            | 272541             |                    |
| 3      | Clamp Assembly                                | 152165             |                    |
| 4      | Piping Asy. - SD/CFII 35                      | 152229             |                    |
|        | Piping Asy. - SD/CFII 40                      | 152228             |                    |
|        | Piping Asy. - SD/CFII 60                      | 152227             |                    |
|        | Piping Asy. - SD/CFII 70                      | 152000             |                    |
|        | Piping Asy. - SD/CFII/ ClearPro 80            | 152226             |                    |
|        | Piping Asy. - SD/CFII 80 w/Hybrid 2" Valve    | 152238             |                    |
| 5      | Lateral - SD/CFII 35, 40 (Qty. 6)             | 150084             |                    |
|        | Lateral - SD/CFII 60, 70, 80 (Qty. 6)         | 150085             |                    |
|        | Lateral - ClearPro (Qty. 6)                   | 150088             |                    |
| 6      | Tank Asy. - SD/CFII 35                        | 145339             | 145364             |
|        | Tank Asy. - SD/CFII 40                        | 145341             | 145365             |
|        | Tank Asy. - SD/CFII 60                        | 145343             | 145366             |
|        | Tank Asy. - SD/CFII 70                        | 145368             | 145369             |
|        | Tank Asy. - SD/CFII/ ClearPro 80              | 145334             | 145370             |
| 7      | Sand Drain                                    | 154711             |                    |
| 8      | Gasket, Sand Drain                            | 154715             |                    |
| 9      | Drain Cap                                     | 154712             |                    |
| 10     | Foot - SD/CFII 35, 40                         | 154926             |                    |
|        | Foot - SD/CFII 60, 70, 80                     | 154520             |                    |
| *      | Pressure Gauge                                | 190059             |                    |
| *      | Flex Hose Kit, 6'                             | 155151             |                    |
| *      | Flex Hose Kit, 12'                            | 155005             |                    |

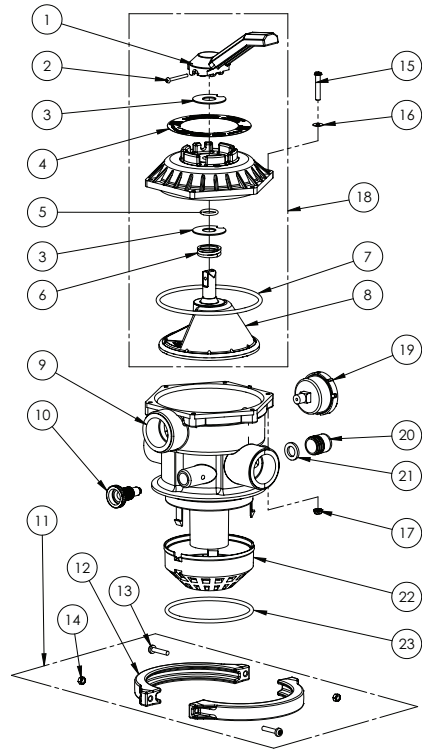
(\* - Not Shown)



ENGLISH

## 1.5" Valve Replacement Parts

| Item # | Part # | Description                     |
|--------|--------|---------------------------------|
| 1      | 272520 | Handle                          |
| 2      | 272405 | Screw, Handle                   |
| 3      | 272505 | Washer, Plastic (2 Req.)        |
| 4      | 272599 | Valve Position Label            |
| 5      | 272511 | O-Ring, Diverter Shaft          |
| 6      | 272535 | Spring, 100lb, 1-3/8 O.D.       |
| 7      | 354053 | O-Ring Top                      |
| 8      | 272512 | Diverter w/Gasket               |
| 9      | 272530 | Valve Body & Diffuser           |
| 10     | 273512 | Air Bleeder w/O-Ring            |
| 11     | 152165 | Clamp Asy <sup>1</sup>          |
| 12     | 152166 | Clamp Half (2 Req.)             |
| 13     | 152168 | Clamp Screw (2 Req.)            |
| 14     | 152167 | Clamp Nut (2 Req.)              |
| 15     | 354541 | Screw #10-24 SS (6 req.)        |
| 16     | 272555 | Washer 9/16 SS (6 req.)         |
| 17     | 272554 | Nut Serrated SS (6 req.)        |
| 18     | 272531 | Valve Top Assembly <sup>2</sup> |
| 19     | 190059 | Pressure Gauge                  |
| 20     | 272550 | Sight Glass                     |
| 21     | 271106 | Gasket, Sight Glass             |
| 22     | 272518 | Diffuser                        |
| 23     | 272541 | Valve Body O-Ring               |
| *      | 272517 | Valve Manual                    |



### Note:

(\*) Not Shown

(<sup>1</sup>) Clamp Assembly consists of items 12 thru 14.

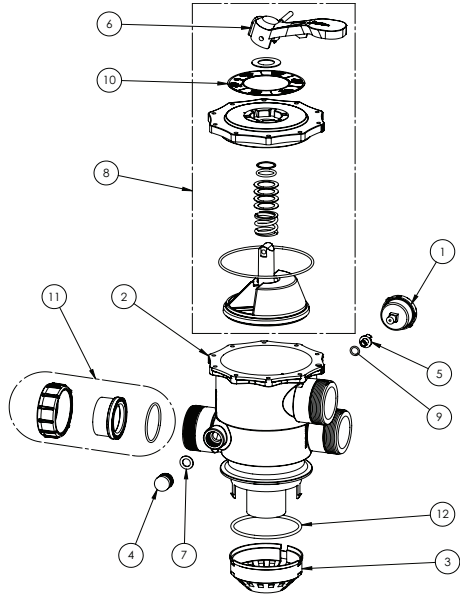
(<sup>2</sup>) Valve Top Assembly consists of items 1 thru 8 and Valve Manual P/N 272517.

## 2" Valve Replacement Parts

| Item # | Part #  | Description                       |
|--------|---------|-----------------------------------|
| 1      | 190059  | Pressure Gauge                    |
| 2      | 270210Z | Valve Body                        |
| 3      | 272541  | Diffuser                          |
| 4      | 272556Z | Sight Glass                       |
| 5      | 272557Z | Drain Plug                        |
| 6      | 272558Z | Handle                            |
| 7      | 272567Z | Gasket, Sight Glass               |
| 8      | 272568Z | Valve Top Assembly <sup>(1)</sup> |
| 9      | 272573Z | Drain O-Ring                      |
| 10     | 272576Z | Valve Position Label              |
| 11     | 272590Z | Union Kit                         |
| 12     | 274402Z | Valve Body O-Ring                 |

**Note:**

- (1) Valve Top Assembly consists of items 6 and 10.





1620 HAWKINS AVE., SANFORD, NC 27330 • (919) 566-8000  
10951 WEST LOS ANGELES AVE., MOORPARK, CA 93021 • (805) 553-5000  
WWW.PENTAIRPOOL.COM

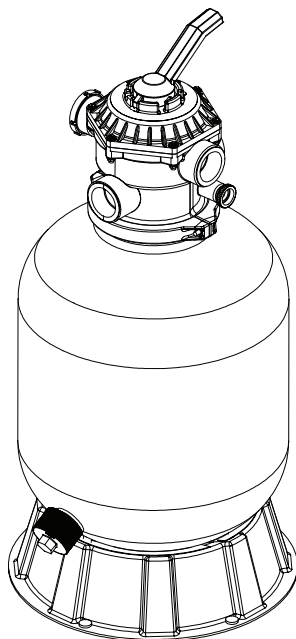
All Pentair trademarks and logos are owned by Pentair or one of its global affiliates. Sta-Rite®, Sand Dollar® and Cristal-Flo™ are trademarks and/or registered trademarks of Pentair Water Pool and Spa, Inc. and/or its affiliated companies in the United States and/or other countries. Unless expressly noted, names and brands of third parties that may be used in this document are not used to indicate an affiliation or endorsement between the owners of these names and brands and Pentair Water Pool and Spa, Inc. Those names and brands may be the trademarks or registered trademarks of those third parties. Because we are continuously improving our products and services, Pentair reserves the right to change specifications without prior notice. Pentair is an equal opportunity employer.

© 2017 Pentair Water Pool and Spa, Inc. All rights reserved. This document is subject to change without notice.



P/N 152006 REV. D 8/18/17

# SAND DOLLAR® ET CRISTAL-FLO™ II FILTRE À SABLE MONTAGE SUPÉRIEUR



## GUIDE D'INSTALLATION ET D'UTILISATION

CONSIGNES DE SÉCURITÉ IMPORTANTES  
*VEUILLEZ LIRE ET SUIVRE ATTENTIVEMENT  
TOUTES LES CONSIGNES*  
VEUILLEZ CONSERVER CES CONSIGNES

## SOUTIEN TECHNIQUE

---

Si vous avez des questions sur la commande de pièces de rechange et de produits pour piscines Pentair Aquatic Systems, veuillez contacter :

### Soutien Technique, États-Unis

**Sanford, Caroline du Nord** (de 8 h à 16 h 30 HE)

**Moorpark, Californie** (de 8 h à 16 h 30 HP)

**Tél:** (800) 831-7133

**Télé:** (800) 284-4151

### Site Internet

Visitez [www.pentairpool.com](http://www.pentairpool.com) ou [www.staritepool.com](http://www.staritepool.com) pour obtenir de plus amples renseignements sur les produits Pentair.

## TABLE DES MATIÈRES

---

|                                                                 |           |
|-----------------------------------------------------------------|-----------|
| <b>Mises en garde et consignes de sécurité .....</b>            | <b>ii</b> |
| <b>Vue d'ensemble du filtre .....</b>                           | <b>1</b>  |
| <b>Installation .....</b>                                       | <b>2</b>  |
| <b>Fonctionnement et Entretien .....</b>                        | <b>5</b>  |
| Mise en route initiale                                          | 5         |
| Entretien                                                       | 6         |
| Nettoyage                                                       | 7         |
| Fonctions des positions de la vanne de régularisation du filtre | 8         |
| Procédure de lavage à contre courant                            | 9         |
| Procédure de nettoyage chimique                                 | 10        |
| Hivernage du système de filtration                              | 11        |
| <b>Dépannage .....</b>                                          | <b>12</b> |
| <b>Pièces de rechange .....</b>                                 | <b>14</b> |
| Pièces de rechange du filtre                                    | 14        |
| Pièces de rechange pour soupape de 1,5 po                       | 15        |
| Pièces de rechange pour soupape de 2 po                         | 16        |

## MISES EN GARDE ET CONSIGNES DE SÉCURITÉ



**DANGER**

**UNE INSTALLATION INCORRECTE DU FILTRE À SABLE PEUT ENTRAÎNER DES BLESSURES GRAVES OU LA MORT.**



**DANGER**

**LES INSTALLATEURS, UTILISATEURS ET PROPRIÉTAIRES DE LA PISCINE DOIVENT LIRE TOUTES LES MISES EN GARDE ET LES INSTRUCTIONS AVANT D'UTILISER LE FILTRE À SABLE.**



**AVERTISSEMENT**

Le filtre à sable est conçu pour les piscines.



**AVERTISSEMENT**

La plupart des instances municipales règlementent la construction, l'installation et le fonctionnement des piscines et des spas publics et privés. Il est important de se conformer à ses règlements, dont plusieurs régissent l'installation et l'utilisation de ce produit. Vérifier auprès des autorités locales pour plus d'information sur les exigences concernant le Code du bâtiment.



**AVIS IMPORTANT - À l'intention de l'installateur :** Ce guide contient d'importantes informations sur l'installation, le fonctionnement et les mesures de sécurité de ce produit. Ce guide doit être remis au propriétaire et/ou à l'opérateur de cet équipement après l'installation.



**AVERTISSEMENT**

Avant d'installer ce produit, veuillez lire et suivre toutes les mises en garde et les consignes du guide. Le non-respect des mises en garde et des consignes peut entraîner d'importantes blessures, la mort ou des dommages matériels. Pour des copies supplémentaires gratuites de ce guide, veuillez appeler au 1-800 831-7133. Pour plus de renseignements sur ces produits, veuillez consulter le site Web [www.pentair.com](http://www.pentair.com).



**DANGER**



Il peut être dangereux pour la santé de se plonger dans de l'eau à plus de 37,7 °C (100 °F). L'immersion prolongée en eau chaude peut causer l'hyperthermie. L'hyperthermie a lieu lorsque la température corporelle interne atteint plusieurs degrés au dessus de la température normale de 37 °C (98,6 °F). Les effets de l'hyperthermie incluent : (1) L'incapacité de prendre conscience du danger; (2) L'insensibilité à la chaleur; (3) L'incapacité de reconnaître le besoin de sortir du spa; (4) L'incapacité physique de

sortir du spa; (5) Le risque élevé de dommages pour le fœtus chez les femmes enceintes; (6) La perte de conscience et le risque de noyade. La consommation d'alcool ou de drogue augmente considérablement les risques d'hyperthermie mortelle dans les cuves.



**AVERTISSEMENT**

Ne pas permettre aux enfants de faire fonctionner le filtre à sable.



**AVERTISSEMENT**

Lors du réglage du taux de renouvellement ou du débit de l'eau, l'opérateur doit prendre en compte les règlements municipaux concernant le taux de renouvellement ainsi que le coefficient de répartition de désinfectant.



**AVERTISSEMENT**

NE PAS augmenter la puissance de la pompe, car cela pourrait avoir comme effet d'augmenter le débit de l'eau circulé par le système et dépasser le débit maximum recommandé indiqué sur le couvercle de drain.



**AVERTISSEMENT**

Si le filtre à sable doit être utilisé dans un contexte autre que pour une habitation unifamiliale, un interrupteur d'urgence bien identifié doit être installé. L'interrupteur doit être facilement accessible et doit être à proximité et visible du filtre, tout en étant à au moins 1,52 m (5 pi).

## MISES EN GARDE ET CONSIGNES DE SÉCURITÉ



L'air sous pression du filtre peut occasionner une séparation du couvercle supérieur pouvant entraîner des blessures sérieuses ou des dommages matériels.

Dissiper toute la pression et lire les instructions avant de travailler sur le filtre à sable.

Si le filtre à crampon est rajusté et qu'il y a pression dans le réservoir, le réservoir peut séparer et causer des blessures graves ou des dégâts matériels.



**AVANT D'INTERVENIR SUR LE FILTRE.**

- (1) Arrêtez la pompe.
- (2) Ouvrez la soupape de surpression.
- (3) Libérez toute la pression à l'intérieur du système.



**RISQUE DE DÉCHARGE ÉLECTRIQUE OU D'ÉLECTROCUTION : POUR FONCTIONNER, LA POMPE REQUIERT UNE TENSION ÉLEVÉE QUI POURRAIT CAUSER DES CHOC ÉLECTRIQUE, DES BRÛLURES OU LA MORT.**

**AVANT D'INTERVENIR SUR LE FILTRE!**

Avant de commencer l'entretien de la pompe, coupez toujours le courant électrique de la pompe au niveau du disjoncteur. Le non-

respect de cette consigne peut entraîner la mort ou des blessures graves par décharge électrique pour le technicien, les utilisateurs ou des tiers.



Une pompe pour piscine ou pour spa doit être installée par un technicien spécialisé, conformément au Code national d'électricité et à tous les codes et règlements locaux en vigueur. Toute mauvaise installation crée un danger électrique pouvant causer la mort par décharge électrique ou des blessures graves aux utilisateurs, aux installateurs ou à des tiers, et pouvant également provoquer des dégâts matériels.



Il n'y a pas de substitut possible pour un couvercle de drain adéquatement installé. Un couvercle anti-aspiration conforme à la plus récente version de la norme A112.19.8 de ANSI/ASME doit être utilisé sur chaque drain. Les piscines et les spas doivent avoir un minimum de deux drains par pompe. Si le couvercle de drain devient lâche, endommagé ou manquant, bloquez l'accès à la piscine ou au spa, fermez la pompe jusqu'à ce qu'un couvercle de drain conforme soit adéquatement installé à l'aide des vis fournies par le fabricant.

**Pour de plus amples renseignements sur la U.S. Virginia Graeme Baker Pool and Spa Safety Act, contactez la Consumer Product Safety Commission au 301-504-7908 ou visitez le site Web [www.cpsc.gov](http://www.cpsc.gov).**

**Remarque : Toujours couper l'alimentation électrique du circuit de circulation de la piscine au niveau du disjoncteur avant de procéder à l'installation du couvercle du drain ou sur tout orifice d'aspiration.**



## VUE D'ENSEMBLE DU FILTRE

Ce filtre à sable à grand débit est conçu afin de produire une eau claire et cristalline avec un minimum d'entretien et, lorsqu'il est installé, utilisé et entretenu conformément aux présentes instructions, fonctionnera pendant de nombreuses années sans problèmes. Le filtre utilise un sable spécial afin de retirer les impuretés de l'eau. Les impuretés sont recueillies dans le filtre par le lit de sable lorsque l'eau traverse le filtre. L'eau entre dans le filtre par la vanne de régulation sur le haut de celui-ci, puis est dirigée vers la surface du lit de sable. Les impuretés sont recueillies dans le lit de sable et l'eau propre traverse les éléments latéraux et le tuyau inférieur qui se trouve au bas du filtre, puis remonte pour pénétrer dans la vanne de régulation située dans le haut du filtre, d'où l'eau propre retourne ensuite à la piscine par la tuyauterie.

### AVERTISSEMENT

CE FILTRE EST SOUMIS À UNE HAUTE PRESSION. Lorsque l'on intervient sur l'un ou l'autre des composants du circuit de circulation (p. ex. : bouchon, couvercle, pompe, filtre, robinet(s) etc.), l'air peut pénétrer n'importe où dans le circuit et devenir pressurisé. L'air sous pression peut occasionner une séparation du couvercle supérieur pouvant entraîner des blessures sérieuses, la mort ou l'endommagement du bien. Pour éviter ce danger potentiel, respectez ces instructions :

1. Avant de remettre la (les) vanne(s) en position et avant de commencer le montage, démontage, ou toute autre intervention sur le circuit :
  - (a) Mettre la pompe sur ARRÊT et mettre HORS SERVICE tout automatisme pour garantir que le système ne soit PAS démarré par inadvertance pendant l'opération d'entretien;
  - (b) Ouvrir le robinet manuel de purge d'air;
  - (c) Attendre jusqu'à ce que toute pression soit évacuée, le manomètre doit lire zéro (0).
2. Lors du montage du couvercle de filtre, RESPECTEZ EXACTEMENT LES INSTRUCTIONS RELATIVES AU COUVERCLE DE FILTRE.
3. Une fois l'intervention sur le circuit terminée, RESPECTER EXACTEMENT LES INSTRUCTIONS DE MISE EN SERVICE.
4. Maintenir le circuit de circulation correctement. Remplacer les pièces usées ou endommagées immédiatement (par exemple : couvercle, manomètre, vanne(s), joints toriques, etc.)
5. S'assurer que le filtre est correctement monté et positionné suivant les instructions fournies.

Après un certain temps, les impuretés s'accumuleront dans le filtre et obstrueront le flux de l'eau à travers le filtre, entraînant une augmentation de la pression du filtre et une diminution du débit de l'eau, il sera alors nécessaire de procéder à un lavage à contre-courant (Backwash).

En réglant la vanne de régulation sur le haut du filtre à la position « Backwash », le flux de l'eau est automatiquement inversé dans le filtre afin qu'il soit dirigé vers le bas du filtre, remonte par le lit de sable en éliminant les impuretés et les débris du sable, puis ressorte par le tuyau d'égout. Une fois le lavage à contre-courant terminé, remplacez la vanne de régulation sur la position « Filter » afin de continuer la filtration normale. La filtration permet d'éliminer les particules en suspension de l'eau, mais elle n'épure pas l'eau de la piscine. L'eau doit être épurée et sa composition doit être équilibrée pour qu'elle soit très claire et cristalline. Le traitement chimique d'une piscine est l'affaire de spécialistes et il convient de consulter un spécialiste local de l'entretien des piscines pour de plus amples informations. En règle générale, pour que l'eau d'une piscine soit correctement épurée, elle doit présenter un niveau de chloration de 1 à 2 ppm et un pH compris entre 7,2 et 7,6. Le système de filtration doit être conçu pour respecter la réglementation sanitaire locale applicable. Au minimum, le système doit renouveler la totalité de l'eau de la piscine au moins deux fois par période de vingt-quatre (24) heures.


**AVERTISSEMENT**

Une non-utilisation de votre système de filtrage ou un filtrage insuffisant peut provoquer un manque de clarté de l'eau gênant la visibilité dans votre piscine.

Quelqu'un peut ainsi plonger sur des objets qu'il ne peut voir, risquant de se blesser gravement, voire de se noyer. Ne jamais se baigner dans une piscine si l'eau trouble la visibilité.

## GUIDE D'INSTALLATION ET D'UTILISATION

1. Veuillez lire et respecter toutes les instructions avant de procéder à l'installation, au fonctionnement ou à l'entretien du système de filtration à sable.
2. Prévoyez un accès suffisamment spacieux et bien éclairé pour l'entretien. Positionnez le système de filtration près de la piscine. Ne montez pas de commandes électriques au-dessus du filtre. Vous devez pouvoir vous écarter de celui-ci lors de la mise en marche de la pompe.
3. Retirez tous les éléments du système des cartons et examinez-les au cas où ils seraient endommagés. Si le carton ou tout élément du filtre est endommagé, avisez-en le transporteur immédiatement.

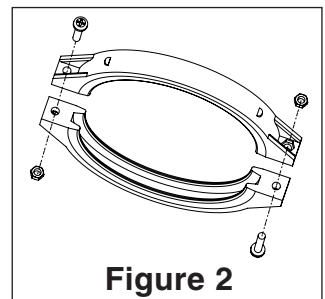
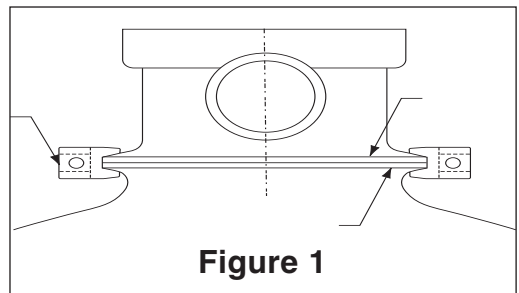

**AVERTISSEMENT**

L'obstruction des raccords d'aspiration peut provoquer des blessures graves, voire mortelles par noyade. Afin de réduire les risques de blessures, ne pas permettre aux enfants de faire fonctionner ce système.


**AVERTISSEMENT**

Ne travaillez jamais sur la pompe lorsqu'elle est en marche ou lorsqu'elle est encore sous tension. Une tension dangereuse peut provoquer de graves blessures, voire la mort. Installez un disjoncteur de fuite à la terre au point de raccordement de cet appareil. Assurez-vous de mettre le moteur à la terre avant de le raccorder à une prise secteur. Sinon, il y a un risque d'électrocution grave, voire mortel. **NE VOUS SERVEZ PAS** d'une canalisation d'alimentation en gaz pour le mettre à terre.

4. Déplacez maintenant le système à sa position ultime. Le système doit être placé sur une surface dure et au niveau. Une fois rempli de sable et d'eau, le filtre peut peser plusieurs centaines de livres.
5. Assurez-vous de mettre la quantité de sable recommandé sur la plaque signalétique du filtre. Seulement un sable siliceux n° 20 standard à coefficient d'uniformité maximum de 1,75 doit être utilisé. Le sable siliceux n° 20 a des particules de 0,45 à 0,55 mm (0,018 à 0,022 po) de grosseur. Avant de verser le sable dans le filtre, regardez bien à l'intérieur de celui-ci et vérifiez le ponceau inférieur pour rechercher tout élément latéral (ou doigt) cassé ou desserré, susceptible d'avoir été endommagé accidentellement par une manutention brutale lors du transport. Remplacez toute pièce cassée si nécessaire.
6. Installez le guide-sable à la partie supérieure du filtre et videz de l'eau dans le réservoir pour le remplir environ à moitié. Versez doucement le sable dans le filtre de façon à ce que le poids du sable n'endommage pas les éléments latéraux. Une fois le filtre rempli au niveau approprié, retirez le guide-sable et jetez-le. Enlevez le sable qui s'est déposé autour de l'ouverture supérieure du réservoir.
7. Assurez-vous qu'il n'y a pas de sable ni de débris sur le dessus du filtre et que le joint torique est en place sur le corps de vanne. Installez la vanne de manière à ce que les orifices soient dans la position finale désirée. Les orifices de la vanne sont étiquetés avec leur emplacement, par exemple, l'orifice de la pompe doit être raccordé à l'orifice de sortie de la pompe, l'orifice de vidange doit être raccordé au tuyau d'évacuation et l'orifice de retour doit être raccordé au tuyau de retour à la piscine.
8. Assurez-vous que la vanne est fermement enfoncée dans le couvercle et que la bride de réservoir et la bride de la vanne se touchent. Reportez-vous à la **Figure 1**.
9. Le collier en plastique peut maintenant être posé. Placez le demi-collier sur la bride de vanne et sur la bride du réservoir comme indiqué à la **Figure 1**. Insérez les vis et écrous dans le demi-collier en vous assurant que les écrous soient situés dans l'emplacement de retenue hexagonal sur les colliers. Reportez-vous à la **Figure 2**.



10. Serrez les vis du collier fermement et vérifiez bien que la vanne du réservoir et le collier sont correctement assemblés.

**AVERTISSEMENT**



**Haute pression :**

**Un assemblage incorrect de la vanne de réservoir peut entraîner une séparation du couvercle supérieur pouvant entraîner des blessures sérieuses ou des dommages matériels.**

11. La pression maximale recommandée du filtre est inscrite sur la plaque signalétique du filtre. **NE JAMAIS FAIRE** fonctionner cet appareil à une pression supérieure à la pression maximale recommandée de la vanne ou du filtre. Ne jamais brancher le filtre à une pompe pouvant dépasser la pression maximale recommandée de la vanne ou du filtre.
12. Utilisez du mastic d'étanchéité sur tous les accouplements mâles de la tuyauterie et des raccords. N'utilisez que des mastics d'étanchéité adaptés à la tuyauterie en plastique. Soutenez la tuyauterie pour éviter toute contrainte exercée sur le filtre, la pompe ou la vanne. **N'UTILISEZ PAS DE PRODUIT À BASE DE PÉTROLE. REMARQUE** : Tous les embouts internes sont filetés à l'exception de ceux des tuyaux de la purge d'air. Ne serrez pas les raccords filetés outre mesure.
13. Installez le manomètre sur le raccord NPT de ¼ po face à l'orifice de la pompe.
14. N'entreposez jamais les produits chimiques destinés à la piscine à moins de 3 mètres (10 pieds) du filtre, de la pompe ou de la vanne. Ces produits doivent toujours être entreposés dans un endroit frais, sec et bien aéré.

**AVERTISSEMENT**

Les vapeurs de produits chimiques et/ou renversements de ceux-ci peuvent corroder gravement les éléments essentiels du filtre et de la pompe. L'affaiblissement structural de ces éléments peut provoquer un éclatement de la vanne ou des accessoires du filtre et occasionner des blessures graves et/ou dégâts matériels importants.

**AVERTISSEMENT**

La pompe centrifuge du système fonctionne sous tension électrique et crée aussi bien une dépression qu'une pression dans le système. Lorsqu'elle est correctement câblée et raccordée, cette pompe fonction en toute sécurité.

**AVERTISSEMENT**

Une tension dangereuse peut provoquer de graves blessures, voire la mort. Installez un disjoncteur de fuite à la terre au point de raccordement de cet appareil comme protection supplémentaire. L'article 681-31 du Code national de l'électricité exige qu'un disjoncteur de fuite à la terre soit installé si cette pompe est utilisée avec une piscine démontable.

15. Évitez de trop serrer les extrémités filetées de la tuyauterie lorsque vous branchez des raccords à la pompe. La façon correcte de procéder consiste à appliquer un mastic d'étanchéité pour tuyau au filetage et de serrer à la main, plus un (1) tour. **NE SERREZ PAS OUTRE MESURE.**

# FONCTIONNEMENT ET ENTRETIEN

## Mise en route initiale

1. Assurez-vous que la quantité de sable siliceux correspond à celle recommandée et que tous les raccordements sont faits.
2. Vérifiez que le tuyau de lavage à contre-courant n'est pas obstrué, de façon à ce que l'eau puisse librement venir de la piscine et s'écouler par ce tuyau. Placez la vanne de régulation en position de lavage à contre-courant (Backwash).

### **⚠ DANGER**



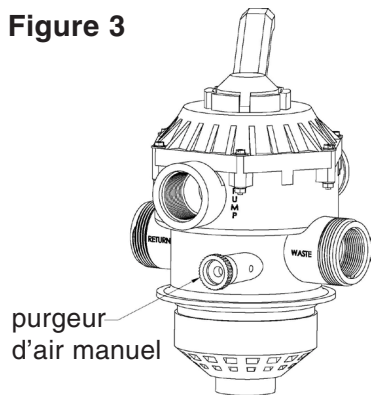
Ce filtre est soumis à une haute pression. Lorsque la vanne est correctement raccordée et qu'il n'y a pas d'air dans le système, ce filtre fonctionnera en toute sécurité. Lorsque de l'air entre dans le filtre et que le collier est mal installé, cela peut entraîner une séparation du couvercle supérieur pouvant entraîner des blessures sérieuses ou des dommages matériels.

### **⚠ AVERTISSEMENT**

Afin d'éviter d'endommager l'équipement ou de prévenir de graves blessures, arrêtez toujours la pompe avant de changer la position de la vanne de régulation.

3. Écartez-vous du filtre. Amorcez et mettez la pompe en marche en suivant les instructions accompagnant la pompe et laissez le filtre se remplir d'eau. Une fois que l'eau s'écoule en un jet continu du tuyau d'évacuation, laissez fonctionner la pompe au moins deux minutes. Le lavage à contre-courant du filtre est recommandé lors de la mise en service initiale afin d'éliminer de petites impuretés dans les particules du sable siliceux.
4. Arrêtez la pompe et placez la vanne de régulation à la position de rinçage (Rinse). Vérifiez que tous les tuyaux d'aspiration et de retour à la piscine ne sont pas obstrués, pour que l'eau puisse librement venir de la piscine et y retourner. **ÉCARTEZ-VOUS DU FILTRE** et mettez la pompe en marche.
5. Laissez fonctionner la pompe au moins deux minutes.
6. Arrêtez la pompe et placez la vanne de régulation à la position de filtration (Filter). Vérifiez que tous les tuyaux d'aspiration et de retour à la piscine ne sont pas obstrués, pour que l'eau puisse librement venir de la piscine et y retourner. **ÉCARTEZ-VOUS DU FILTRE** et mettez la pompe en marche.
7. Laissez fonctionner la pompe au moins deux minutes.

**Figure 3**



8. Arrêtez la pompe et placez la vanne de régulation en position de filtration (Filter). Vérifiez que tous les tuyaux d'aspiration et de retour ne soient pas obstrués afin que l'eau puisse librement venir de la piscine et y retourner.
9. Ouvrir la purge d'air manuelle du filtre. **ÉCARTEZ-VOUS DU FILTRE** et mettez la pompe en marche.
10. Refermez la purge d'air lorsque l'eau s'écoule en un jet continu.
11. Le filtre a alors entamé son cycle de filtrage. Vous devez vérifier que l'eau retourne à la piscine et noter la pression du filtre. La pression nominale est de \_\_\_\_\_ PSI lorsque le filtre est propre.
12. Vérifiez le système pour toute fuite d'eau. Si vous trouvez une fuite, arrêtez la pompe avant de réparer.
13. Au fur et à mesure que le filtre retire les impuretés de l'eau de la piscine, l'accumulation cause à la pression du filtre de s'élever et au débit de s'abaisser. Lorsque la lecture du manomètre indique une augmentation de 68,9 kPa (10 psi) par rapport à la valeur initiale, il est nécessaire de procéder au lavage à contre-courant du filtre.

## Entretien

Avec une utilisation et un entretien adéquat, la durée de service du système sera prolongée de nombreuses années. Respectez les suggestions qui suivent afin que le système fonctionne pendant longtemps sans problème.

1. Pour débarrasser l'extérieur de la pompe et du filtre des impuretés et de la poussière, lavez-le avec une solution de détergent doux et d'eau et rincez-le au jet. N'utilisez pas de solvants.
2. Si un entretien de l'intérieur du filtre s'avère nécessaire, vous pouvez vider le sable en enlevant l'ensemble du robinet de vidange du bas du filtre et en rinçant celui-ci au jet.
3. Votre filtre est un réservoir sous pression et vous ne devez jamais en effectuer l'entretien lorsqu'il est pressurisé. Vous devez toujours délester la pression dans le réservoir et ouvrir le purgeur d'air qui se trouve sur le couvercle du filtre avant de procéder à l'entretien du filtre.
4. Lorsque vous remettez le filtre en marche, ouvrez toujours le purgeur d'air qui se trouve sur le couvercle du filtre et écartez-vous de celui-ci.
5. Le panier de la cuve de la pompe doit être nettoyé et inspecter deux fois par semaine. Retirez le couvercle transparent et le panier, puis retirez tous les débris du panier. Vérifiez l'étanchéité du joint torique et le remplacez-le s'il est endommagé. Le joint torique ne requiert pas de lubrifiant. Le moteur de la pompe ne doit être ouvert que par un technicien qualifié.

## Nettoyage

1. Le filtre d'une piscine neuve doit être lavé à contre-courant et nettoyé au bout des 48 premières heures de fonctionnement pour en éliminer les débris résultant de la construction. Il y a trois façons de savoir quand le filtrage doit être lavé à contre-courant :
  - a) L'indication la plus précise qu'un lavage à contre-courant est nécessaire est, sur les systèmes équipés d'un débitmètre, que le débit diminue de 30 % par rapport au débit initial (filtre propre). Si, par exemple, le débit initial était de 227 l/min (60 gal/min), il convient de laver le filtre à contre-courant lorsque le débit diminue de 75,7 l/min (20 gal/min) pour atteindre 151,3 l/min (40 gal/min).
  - b) Une indication plus subjective et moins précise est donnée par l'observation du débit des sorties d'eau directionnelles qui se trouvent dans la paroi de la piscine. Le filtre doit être lavé à contre-courant lorsque vous constatez que le débit s'est réduit.
  - c) L'indication la plus communément utilisée et la moins précise de devoir laver à contre-courant est l'augmentation de 68,9 kPa (10 psi) par rapport à la valeur initiale (filtre propre) de la pression indiquée par le manomètre du filtre.
2. Il est important de ne pas laver le filtre à contre-courant uniquement à des intervalles de temps, par exemple tous les trois jours. Il est également important de noter qu'un lavage à contre-courant trop fréquent provoque en fait un mauvais filtrage. Des facteurs tels que les conditions atmosphériques, de fortes pluies, de fortes concentrations de poussière ou de pollen et les températures de l'eau affectent tous la fréquence du lavage à contre-courant. Vous deviendrez conscient de ces influences lorsque vous serez familiarisé avec l'utilisation de votre piscine.

## Fonctions des positions de la vanne de régularisation du filtre

**FILTER (FILTRE)** : L'eau entre dans la pompe, par la vanne, descend dans le bas du filtre, puis remonte par le tuyau du centre au tuyau de retour de vanne, puis est à nouveau dans la piscine; pour une filtration normale ou pour le balayage par le filtre.

**BACKWASH (LAVAGE À CONTRE-COURANT)** : L'eau passe dans la pompe, par la vanne, descend le tuyau du centre, remonte par le filtre jusqu'à la vanne et sort par le tuyau d'égout. Cette position sert à nettoyer le filtre en inversant la circulation de l'eau.

**RINSE (RINÇAGE)** : L'eau passe dans la pompe, par la vanne, descend dans le bas du filtre, remonte le tuyau du centre, jusqu'à la vanne et sort par le tuyau d'égout. Cette position sert au nettoyage initial et pour décanter le sable du filtre après le lavage à contre-courant.

**WASTE (ÉGOUTS)** : L'eau passe dans la pompe, par la vanne, contourne le filtre et sort par le tuyau d'égout. Cette position sert au balayage afin de vider directement aux déchets, de baisser le niveau de l'eau ou de vider la piscine.

**CLOSED (FERMÉ) : AUCUNE CIRCULATION - NE PAS UTILISER CE RÉGLAGE LORSQUE LA POMPE DOIT ÊTRE UTILISÉE.**

**RECIRCULATE (RECIRCULATION)** : L'eau passe dans la pompe, par la vanne, contourne le filtre, puis remonte le tuyau et retourne vers la piscine. Cette position sert à faire recirculer l'eau en contournant le filtre.

**WINTERIZING (HIVERNAGE)** : Cette position sert à l'hivernage du filtre, reportez-vous à la page 11.



## Procédure de lavage à contre courant



**AVERTISSEMENT** Une non-utilisation de votre système de filtrage ou un filtrage insuffisant peut provoquer un manque de clarté de l'eau gênant la visibilité dans votre piscine. Quelqu'un peut ainsi plonger sur des objets qu'il ne peut voir, risquant de se blesser gravement, voire de se noyer. Ne jamais se baigner dans une piscine si l'eau trouble la visibilité.



**AVERTISSEMENT** Afin d'éviter d'endommager l'équipement ou de prévenir de graves blessures, arrêtez toujours la pompe avant de changer la position de la vanne de régulation

1. Arrêtez la pompe.
2. Assurez-vous que le tuyau de lavage à contre-courant n'est pas obstrué, de façon à ce que l'eau puisse librement venir de la piscine et s'écouler par ce tuyau. Placez la vanne de régulation en position de lavage à contre-courant (Backwash).
3. **ÉCARTEZ-VOUS DU FILTRE** et mettez la pompe en marche.
4. Lavez le filtre à contre-courant pendant trois (3) minutes environ ou jusqu'à ce que l'eau de lavage à contre-courant soit propre.
5. Arrêtez la pompe et placez la vanne de régulation à la position de rinçage (Rinse).
6. **ÉCARTEZ-VOUS DU FILTRE** et mettez la pompe en marche.
7. Rincez le filtre pendant environ 30 secondes.
8. Arrêtez la pompe et placez la vanne de régulation à la position de filtration (Filter).
9. Vérifiez que le tuyau de retour à la piscine n'est pas obstrué, pour que l'eau puisse librement venir de la piscine et y retourner.
10. Ouvrez la purge d'air manuelle qui se trouve sur le filtre. **ÉCARTEZ-VOUS DU FILTRE** et mettez la pompe en marche.
11. Refermez la purge d'air qui se trouve sur le filtre lorsque l'eau s'écoule de la purge en un jet continu.
12. Le filtre a alors entamé son cycle de filtrage. Vous devez vérifier que l'eau retourne à la piscine et noter la pression du filtre.
13. La pression du filtre relevée à l'étape 12 ci-dessus ne doit pas dépasser celle qui a été observée à l'origine lors de la mise en route initiale du filtre. Si, à l'issue du lavage à contre-courant, la pression est supérieure de 27,5 à 41,4 kPa (4 à 6 psi) à la pression relevée lors de la mise en route, il sera nécessaire de nettoyer chimiquement le lit de sable.

## Procédure de nettoyage chimique

1. Il est recommandé d'utiliser la solution spécialisée de nettoyage du filtre. Ces produits nettoyeurs élimineront l'huile, le tartre et la rouille du lit de sable en une seule opération de nettoyage.
2. Préparez une solution en suivant les instructions données par le fabricant sur l'étiquette.
3. Nettoyez le filtre à contre-courant comme indiqué plus haut.
4. Si le filtre est au-dessous du niveau de la piscine, arrêtez la pompe et fermez les vannes appropriées pour éviter de vider la piscine.
5. Arrêtez la pompe, ouvrez le robinet de vidange du filtre et laissez celui-ci se vider. Placez la vanne de régulation en position de lavage à contre-courant (Backwash).
6. Une fois que le filtre s'est vidé, refermez son robinet de vidange et enlevez le couvercle de la crépine de la pompe.
7. Vérifiez que les tuyaux de lavage à contre-courant ne sont pas obstrués.
8. Mettez la pompe en marche et videz lentement la solution de nettoyage dans la crépine de la pompe alors que celle-ci tourne. Si le filtre est en dessous du niveau de la piscine, ouvrez les vannes fermées appropriées afin de permettre à la pompe de fonctionner.
9. Continuez à ajouter de la solution de nettoyage jusqu'à ce que le lit de sable en soit saturé.
10. Arrêtez la pompe et laissez la vanne de régulation en position de lavage à contre-courant (Backwash). Laissez le filtre reposer pendant la nuit (12 heures).
11. Remettez le couvercle de la pompe en place et procédez à un lavage à contre-courant comme indiqué plus haut.
12. Empêchez la solution de nettoyage de pénétrer dans la piscine.

## Hivernage du système de filtration

### **ATTENTION**

Si de l'eau restant dans le système gèle, la pompe et la plomberie pourraient être endommagées et entraîner une inondation et des dommages matériels.

1. Dans les régions dans lesquelles les températures hivernales descendent sous zéro, vous devez procéder à l'hivernage de l'équipement de la piscine afin de le protéger.
2. Procédez au lavage à contre-courant. Arrêtez la pompe et placez la vanne de régulation en position d'hivernage (Winterize).
3. Retirez le bouchon de vidange du bas du filtre.

**REMARQUE** : Retirez le bouchon de vidange du bas du filtre. Ne retirez pas tout le raccord afin d'éviter que tout le sable s'écoule. Le filtre se videra très lentement. Il est recommandé de laisser le bouchon de vidange retiré pendant l'hiver.

### **ATTENTION**

La vanne de régulation doit être laissée en position d'hivernage (Winterize) durant l'hiver de façon à ce que la soupape de dérivation n'exerce aucune pression sur le joint torique. Le non-respect de cette consigne peut endommager la soupape de dérivation, causant une fuite et des dommages matériels.

4. Vidangez toute la tuyauterie du système.
5. Nous recommandons de recouvrir l'équipement avec une toile goudronnée ou une feuille plastique pour éviter toute détérioration due aux intempéries. N'ENVELOPPEZ PAS le moteur de la pompe avec du plastique.
6. Dans des installations où la pompe ne peut être vidangée, une solution à 60 % d'eau et de 40 % propylène-glycol permettra de protéger jusqu'à une température de -45,5 °C ( 50 °F).

**Remarque** : N'utilisez pas de solutions antigels autres que le propylène-glycol, car les antigels sont hautement toxiques et endommageraient la pompe.

## DÉPANNAGE

| Problème                                        | Cause                                                                                                                                                                                                                                                                                                        | Solution                                                                                                                                                                                                                                                                                                                                                                                                                                                                                                                      |
|-------------------------------------------------|--------------------------------------------------------------------------------------------------------------------------------------------------------------------------------------------------------------------------------------------------------------------------------------------------------------|-------------------------------------------------------------------------------------------------------------------------------------------------------------------------------------------------------------------------------------------------------------------------------------------------------------------------------------------------------------------------------------------------------------------------------------------------------------------------------------------------------------------------------|
| <b>Eau de la piscine insuffisamment propre.</b> | <ol style="list-style-type: none"> <li>1. Composition chimique de l'eau de la piscine inadéquate pour empêcher la croissance des algues.</li> <li>2. Lavage à contre-courant trop fréquent.</li> <li>3. Quantité ou calibre incorrect de sable.</li> <li>4. Cadence de renouvellement inadéquate.</li> </ol> | <p>Maintenez la composition chimique correcte de l'eau de la piscine ou consultez un technicien d'entretien spécialisé.</p> <p>Laissez la pression augmenter jusqu'à 68,9 kPa (10 psi) au-dessus de la pression avec filtre propre avant de laver à contre courant.</p> <p>Vérifiez l'épaisseur du lit de sable et le calibre de ce dernier ou consultez un technicien d'entretien spécialisé.</p> <p>Vérifiez l'épaisseur du lit de sable et le calibre de ce dernier ou consultez un technicien d'entretien spécialisé.</p> |
| <b>Pression trop élevée dans le filtre.</b>     | <ol style="list-style-type: none"> <li>1. Lavage à contre-courant insuffisant.</li> <li>2. Lit de sable encombré de dépôts minéraux.</li> <li>3. Vanne partiellement fermée.</li> </ol>                                                                                                                      | <p>Lavez à contre-courant jusqu'à ce que l'eau de lavage soit claire.</p> <p>Nettoyez chimiquement le filtre.</p> <p>Ouvrez la vanne ou débouchez le tuyau de retour.</p>                                                                                                                                                                                                                                                                                                                                                     |

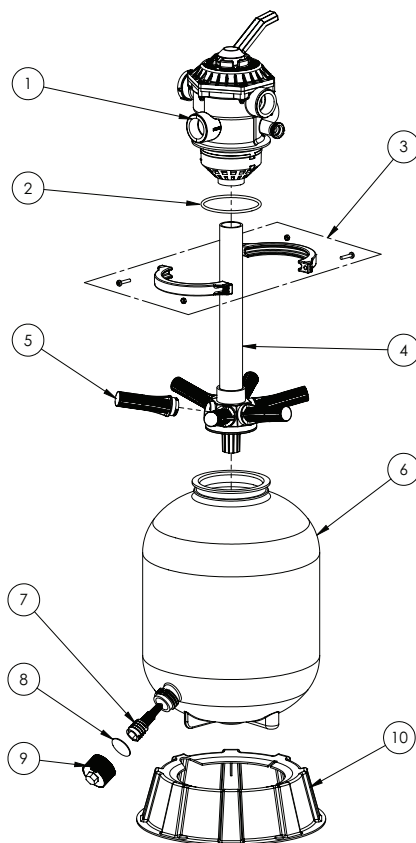
## Dépannage (Suite)

|                                                                                                       |                                                                                                                                                                                                                                                                 |                                                                                                                                                                                                                                                                                                                                                                                                                                  |
|-------------------------------------------------------------------------------------------------------|-----------------------------------------------------------------------------------------------------------------------------------------------------------------------------------------------------------------------------------------------------------------|----------------------------------------------------------------------------------------------------------------------------------------------------------------------------------------------------------------------------------------------------------------------------------------------------------------------------------------------------------------------------------------------------------------------------------|
| <p><b>Cycles trop courts.</b></p>                                                                     | <ol style="list-style-type: none"> <li>1. Lavage à contre-courant incorrect.</li> <li>2. Composition chimique de l'eau de la piscine inadéquate pour empêcher la croissance des algues.</li> <li>3. Lit de sable sale.</li> <li>4. Débit trop élevé.</li> </ol> | <p>Lavez à contre-courant jusqu'à ce que l'eau de lavage soit claire.</p> <p>Maintenez la composition chimique correcte de l'eau de la piscine ou consultez un technicien d'entretien spécialisé.</p> <p>Retirez à la main une épaisseur de 25 mm (1 po) sur le dessus du lit de sable et nettoyez chimiquement l'ensemble du lit de sable comme indiqué dans la Section G.</p> <p>Ramenez le débit à la capacité du filtre.</p> |
| <p><b>Réduction du débit de retour d'eau vers la piscine. Pression trop basse dans le filtre.</b></p> | <ol style="list-style-type: none"> <li>1. Colmatage du filtre à cheveux et peluches de la pompe.</li> <li>2. Obstruction dans la pompe.</li> <li>3. Tuyau d'aspiration de la pompe obstrué.</li> </ol>                                                          | <p>Nettoyez le filtre.</p> <p>Démontez et nettoyez la pompe.</p> <p>Nettoyez le panier du collecteur. Débouchez les tuyaux.</p> <p>Ouvrez les vannes du tuyau d'aspiration.</p>                                                                                                                                                                                                                                                  |
| <p><b>Retour du sable dans la piscine.</b></p>                                                        | <ol style="list-style-type: none"> <li>1. Élément latéral de vidange par le bas cassé.</li> <li>2. Débit de lavage à contre-courant trop élevé.</li> </ol>                                                                                                      | <p>Remplacez les éléments latéraux cassés ou endommagés.</p> <p>Réduisez le débit du lavage à contre-courant.</p>                                                                                                                                                                                                                                                                                                                |

# PIÈCES DE RECHANGE

## Pièces de rechange du filtre

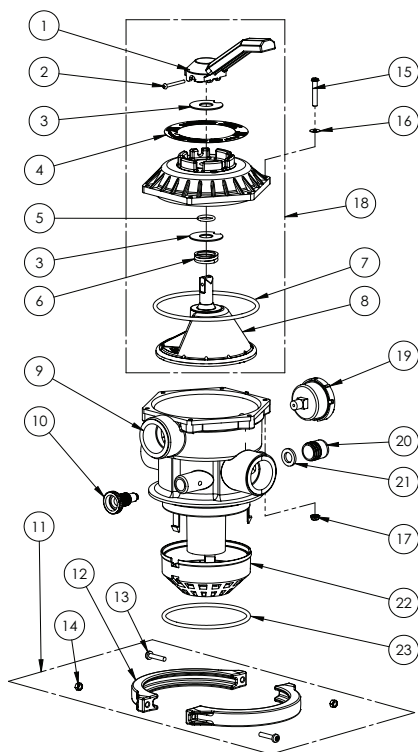
| N° d'article | Description                                                        | Sand Dollar<br>N° de pièce | Cristal-Flo<br>N° de pièce |
|--------------|--------------------------------------------------------------------|----------------------------|----------------------------|
| 1            | Soupape, 1,5 po (Voir les détails de la soupape à la p. 15)        | 262506                     |                            |
|              | Soupape, 2 po (Voir les détails de la soupape à la p. 16)          | 263085                     |                            |
| 2            | Joint torique, corps de la soupape                                 | 272541                     |                            |
| 3            | Assemblage de l'attache                                            | 152165                     |                            |
| 4            | Assemblage de tuyauterie – SD/CFII 35                              | 152229                     |                            |
|              | Assemblage de tuyauterie – SD/CFII 40                              | 152228                     |                            |
|              | Assemblage de tuyauterie – SD/CFII 60                              | 152227                     |                            |
|              | Assemblage de tuyauterie – SD/CFII 70                              | 152000                     |                            |
|              | Assemblage de tuyauterie – SD/CFII/<br>ClearPro 80                 | 152226                     |                            |
|              | Assemblage de tuyauterie – SD/CFII 80<br>avec soupape hybride 2 po | 152238                     |                            |
| 5            | Latérale – SD/CFII 35, 40<br>(Quantité 6)                          | 150084                     |                            |
|              | Latérale – SD/CFII 60, 70, 80<br>(Quantité 6)                      | 150085                     |                            |
|              | Latérale – ClearPro (Quantité 6)                                   | 150088                     |                            |
| 6            | Assemblage de réservoir – SD/CFII 35                               | 145339                     | 145364                     |
|              | Assemblage de réservoir – SD/CFII 40                               | 145341                     | 145365                     |
|              | Assemblage de réservoir – SD/CFII 60                               | 145343                     | 145366                     |
|              | Assemblage de réservoir – SD/CFII 70                               | 145368                     | 145369                     |
|              | Assemblage de réservoir – SD/CFII/<br>ClearPro 80                  | 145334                     | 145370                     |
| 7            | Drain de sable                                                     | 154711                     |                            |
| 8            | Joint, drain de sable                                              | 154715                     |                            |
| 9            | Bouchon de vidange                                                 | 154712                     |                            |
| 10           | Pied – SD/CFII 35, 40                                              | 154926                     |                            |
|              | Pied – SD/CFII 60, 70, 80                                          | 154520                     |                            |
| *            | Manomètre                                                          | 190059                     |                            |
| *            | Trousse pour tuyau flexible, 6 pi                                  | 155151                     |                            |
| *            | Trousse pour tuyau flexible, 12 pi                                 | 155005                     |                            |



(\*) – Non illustré

## Pièces de rechange pour soupape de 1,5 po

| N° d'article | N° de pièce | Description                                     |
|--------------|-------------|-------------------------------------------------|
| 1            | 272520      | Poignée                                         |
| 2            | 272405      | Vis, poignée                                    |
| 3            | 272505      | Rondelle, plastique (2 req.)                    |
| 4            | 272599      | Étiquette de position de la soupape             |
| 5            | 272511      | Joint torique, arbre d'inverseur                |
| 6            | 272535      | Ressort, 100 lb, diamètre extérieur de 1 3/8 po |
| 7            | 354053      | Haut du joint torique                           |
| 8            | 272512      | Inverseur avec joint                            |
| 9            | 272530      | Corps et diffuseur de la soupape                |
| 10           | 273512      | Purge d'air avec joint torique                  |
| 11           | 152165      | Aeemblage de l'attache <sup>1</sup>             |
| 12           | 152166      | Demie-pince (2 req.)                            |
| 13           | 152168      | Vis de serrage (2 req.)                         |
| 14           | 152167      | Écrou de serrage (2 req.)                       |
| 15           | 354541      | Vis 10-24 SS (6 req.)                           |
| 16           | 272555      | Rondelle 9/16 SS (6 req.)                       |
| 17           | 272554      | Écrou cannelé SS (6 req.)                       |
| 18           | 272531      | Assemblage du haut de la soupape <sup>2</sup>   |
| 19           | 190059      | Manomètre                                       |
| 20           | 272550      | Voyant                                          |
| 21           | 271106      | Joint du voyant                                 |
| 22           | 272518      | Diffuseur                                       |
| 23           | 272541      | Joint torique du corps de soupape               |
| *            | 272517      | Manuel de la soupape                            |



### Remarque :

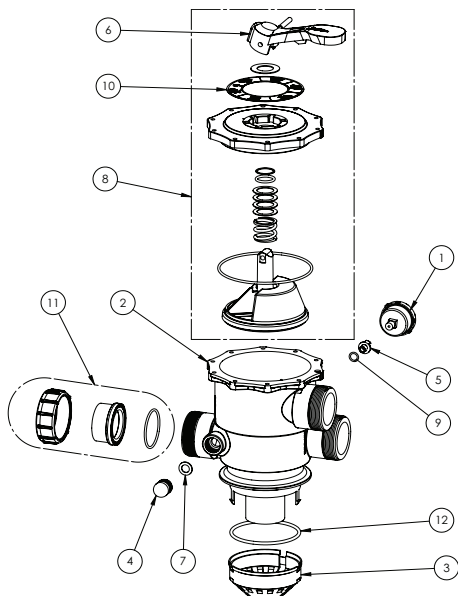
(\*) Non illustré

(<sup>1</sup>) L'assemblage de la pince est composé des articles 12 à 14.

(<sup>2</sup>) L'assemblage du haut de la soupape est composé des articles 1 à 8 et du manuel de la soupape N/P 272517.

## Pièces de rechange pour soupape de 2 po

| N° d'article | N° de pièce | Description                                   |
|--------------|-------------|-----------------------------------------------|
| 1            | 190059      | Manomètre                                     |
| 2            | 270210Z     | Corps de la soupape                           |
| 3            | 272541      | Diffuseur                                     |
| 4            | 272556Z     | Voyant                                        |
| 5            | 272557Z     | Bonde de vidange                              |
| 6            | 272558Z     | Poignée                                       |
| 7            | 272567Z     | Joint du voyant                               |
| 8            | 272568Z     | Assemblage du haut de la soupape <sup>1</sup> |
| 9            | 272573Z     | Joint torique de vidange                      |
| 10           | 272576Z     | Étiquette de position de la soupape           |
| 11           | 272590Z     | Trousse d'union                               |
| 12           | 274402Z     | Joint torique du corps de soupape             |



### Remarque :

- (1) L'assemblage du haut de la soupape est composé des articles 6 à 10.



## REMARQUES

---



1620 HAWKINS AVE., SANFORD, NC 27330 • (919) 566-8000  
10951 WEST LOS ANGELES AVE., MOORPARK, CA 93021 • (805) 553-5000  
WWW.PENTAIRPOOL.COM • WWW.STARITEPOOL.COM

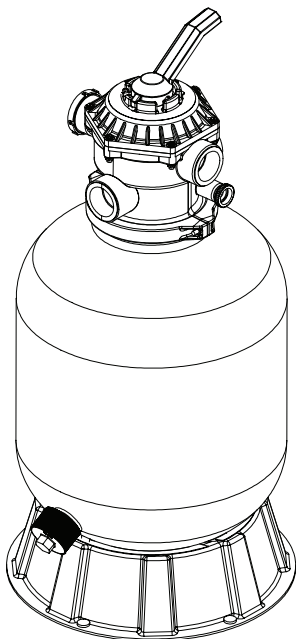
Toutes les marques de commerce et tous les logos Pentair sont la propriété de Pentair ou de l'une de ses filiales internationales. Sta-Rite®, Sand Dollar® et Cristal-Flo™ sont des marques de commerce ou des marques déposées de Pentair Water Pool and Spa, Inc. ou de ses sociétés affiliées aux États-Unis ou dans d'autres pays. Sauf indication expressément contraire, les noms et les marques de tiers qui peuvent être utilisés dans le présent document ne sont pas utilisés pour indiquer une affiliation ou une approbation entre les propriétaires de ces marques et Pentair Water Pool and Spa, Inc. Ces noms et ces marques peuvent être des marques de commerce ou des marques déposées de ces tiers. Parce que nous améliorons constamment nos produits, Pentair se réserve le droit de changer ses caractéristiques sans avis préalable. Pentair offre l'égalité d'accès à l'emploi.

© 2017 Pentair Water Pool and Spa, Inc. Tous droits réservés. Ce document peut être modifié sans avis préalable.



P/N 152006 REV. D 8/18/17

# SAND DOLLAR® Y CRISTAL-FLO™ II FILTRO DE ARENA DE MONTAJE SUPERIOR



## GUÍA DEL USUARIO Y DE INSTALACIÓN

IMPORTANTES INSTRUCCIONES DE SEGURIDAD  
*LEA Y SIGA TODAS LAS INSTRUCCIONES*  
PROTEJA ESTAS INSTRUCCIONES

## SOPORTE TÉCNICO

---

Si tiene preguntas acerca de cómo pedir partes de repuesto de Pentair Aquatic Systems y productos para piscina, comuníquese con:

### Soporte Técnico, EE. UU.

**Sanford, Carolina del Norte** (de 8 a.m. to 4:30 p.m. Horario del Este)

**Moorpark, California** (de 8 a.m. to 4:30 p.m. Horario del Pacífico)

**Teléfono:** (800) 831-7133

**Fax:** (800) 284-4151

### Sitio web

Visite [www.pentairpool.com](http://www.pentairpool.com) o [www.staritepool.com](http://www.staritepool.com) para obtener más información sobre los productos Pentair.

## TABLA DE CONTENIDO

---

|                                                                    |           |
|--------------------------------------------------------------------|-----------|
| <b>Advertencias e instrucciones de seguridad importantes</b> ..... | <b>ii</b> |
| <b>Resumen del filtro</b> .....                                    | <b>1</b>  |
| <b>Instalación</b> .....                                           | <b>2</b>  |
| <b>Operación y Mantenimiento</b> .....                             | <b>6</b>  |
| Arranque inicial                                                   | 6         |
| Mantenimiento                                                      | 7         |
| Limpieza del filtro                                                | 8         |
| Funciones de la válvula de control y el filtro                     | 9         |
| Procedimiento de limpieza retrolavador( "Backwash")                | 10        |
| Limpieza química                                                   | 11        |
| Prepare su filtro para el invierno                                 | 12        |
| <b>Guía para la identificación de problemas</b> .....              | <b>13</b> |
| <b>Partes de repuesto</b> .....                                    | <b>15</b> |
| Partes de repuesto para filtros                                    | 15        |
| 1.5" Partes de repuesto de la válvula                              | 16        |
| 2" Partes de repuesto de la válvula                                | 17        |

N/P 152006 Rev. D 8/18/17

## ADVERTENCIAS E INSTRUCCIONES DE SEGURIDAD IMPORTANTES

### ⚠ PELIGRO

**LESIONES SEVERAS O MUERTE PUEDE SER CAUSADO SI EL FILTRO DE ARENA SINO ES INSTALADO Y USADO CORRECTAMENTE.**

### ⚠ PELIGRO

**INSTALADORES, OPERADORES DE PISCINAS Y DUEÑOS TIENEN QUE LEER ESTAS ADVERTENCIAS Y TODOS LAS INSTRUCCIONES ANTES DE USAR ESTE FILTRO DE ARENA.**

### ⚠ ADVERTENCIA

Este Filtro de Arena esta diseñado solamente para uso en una piscina.

### ⚠ ADVERTENCIA

Casi todos los Estados de Los Estados Unidos y códigos locales regulan la construcción, instalación, y operación de piscinas públicas y balnearios, y la construcción de piscinas y balnearios. Es muy importante seguir estos códigos, la mayoría afectan directamente a la regulación de instalación y el uso de este producto. Consulte con su código local de construcción para más información.



**NOTA IMPORTANTE – Atención instalador:** Esta Guía del Usuario y de Instalación (“Guía”) contiene información importante acerca de la instalación, operación y uso seguro de esta Bomba y Filtro de Arena. Esta guía debe ser entregada al dueño de la piscina y/o al operador de este equipo de sistema.

### ⚠ ADVERTENCIA

Antes de instalar este producto, lea y siga todas las notas de advertencia e instrucciones en esta guía. En caso de no seguir las advertencias e instrucciones de seguridad puede resultar en lesiones severas, muerte o daño de propiedad. Llame al (800) 831-7133 para obtener copias adicionales gratuitas de estas instrucciones. Por favor refiérase a [www.pentairwater.com](http://www.pentairwater.com) para más información acerca de este producto.

### ⚠ PELIGRO



La temperatura de agua a más de 100 °F (37.7 °C) puede ser peligroso para su salud. Sumersiones largas en agua caliente pueden inducir hipotermia. La hipotermia puede ser causada cuando la temperatura interna del cuerpo llega a un nivel o más grados sobre la temperatura normal del cuerpo que es 98.6 °F. (37 °C). Los efectos de la hipotermia son: (1) Ignorar el inminente peligro. (2) No sentir o percibir calor. (3) No reconocer la necesidad de salirse del balneario. (4) Inhabilidad física de salirse del balneario. (5) daño al feto

para mujeres embarazadas. (6) Perder el conocimiento resultando un peligro para ahogarse. El uso de alcohol, drogas, o medicación puede incrementar el riesgo de hipotermia fatal en balnearios calientes.

### ⚠ ADVERTENCIA

No permita que los niños usen u operen esta Filtro de Arena.

### ⚠ ADVERTENCIA

Quando se establece el volumen y la corriente de agua que entra en la piscina, el operador tiene que considerar los códigos locales que rigen los volúmenes de agua y también las reglas para las raciones de desinfección.

### ⚠ ADVERTENCIA

No aumentar el tamaño de la bomba; esto puede causar que el volumen de agua que pase por el sistema pueda excedir el volumen máximo de agua que esta indicado en el cubierta de el drenaje.

### ⚠ ADVERTENCIA

Para los filtros destinados a que no sean viviendas unifamiliares, debe suministrarse un interruptor de emergencia claramente marcado como parte de la instalación. El interruptor será accesible a los ocupantes y se instalarán por lo menos 5 pies (1.52 m), junto a y a la vista del filtro.

## ADVERTENCIAS E INSTRUCCIONES DE SEGURIDAD IMPORTANTES

### ⚠ PELIGRO



Si la abrazadera del Filtro a sido ajustada con baja presión, el tanque puede separarse causando lesiones graves y daños de propiedad. Elimine la presión del filtro y lea las instrucciones antes a trabajar en el filtro de arena. Si la abrazadera de el filtro a sido ajustada bajo, el tanque podría separarse causando lesiones serias y gran daño a propiedad.

### ⚠ ADVERTENCIA

Antes de trabajar en el Filtro!

- (1) Apague la bomba.
- (2) Abrir la válvula para sacar el aire
- (3) Sacar toda la presión del sistema

### ⚠ PELIGRO



LA BOMBA NECESITA ALTO VOLTAGE Y ESO PUEDE CAUSAR UN CHOQUE ELECTRICO, QUEMADURA, O MUERTE.

ANTES DE USAR LA BOMBA!

Siempre desconecte la energía de la bomba desde el interruptor automatico antes de trabajar y dar servicio a la bomba. Si no hace esto, puede ser causa de muerte o serias lesiones a la persona que trabaje dando servicio a la bomba, los que estén usando la piscina, u otros debido a un choque eléctrico.

### ⚠ ADVERTENCIA

Una bomba de piscina o balneario debe de ser instalada por una persona calificada para servicio de piscina y balnearios profesional por reglas establecidas por el código nacional de electricistas y todos los códigos locales y leyes. Instalación inapropiada puede causar peligro de choque eléctrico que puede causar muerte o daño serio para los que usen la piscina, instaladores, u otros, y también puede dañar la propiedad.

### ⚠ ADVERTENCIA

Bombas no son substitutos para cubiertas de drenaje que estén instalados correctamente y que estén seguros. Una cubierta de drenaje aprobado por el ANSI/ASME A112.19.8 tiene que ser usado para cada drenaje. Piscinas y balnearios deberian de utilizar por lo menos dos drenajes por bomba. Si una cubierta de drenaje se afloja, se quiebra o se pierde, cierre la piscina o balneario inmediatamente y apague la bomba hasta que una cubierta de drenaje anti-entrampamiento haya sido instalada correctamente con los tornillos de el fabricante.

**Para información acerca de Virginia Graemer Baker Pool and Spa Safety Act, contacte el Consumer Product Safety Comisión a (310)504-7908 o refierase a [www.spsc.gov](http://www.spsc.gov).**

**Nota Importante: Siempre apague toda la energía eléctrica de la bomba de la piscina antes de instalar la tapadera o trabajar on cualquier salida del desagüe.**

## RESUMEN DEL FILTRO

Su Filtro de Arena de alto flujo esta diseñado para producir agua clara, limpia y cristalina y para el funcionamiento de muchos años con poco mantenimiento cuando se instala y se opera siguiendo esta guía de instrucciones. Su filtro utiliza arena especial para remover particulares de tierra del agua. Suciedad es atrapada en el filtro por la cama de arena cuando el agua pasa por el filtro. El agua entra el filtro por la válvula de arriba de el filtro y es distribuida igualmente para abajo de la cama de arena. La suciedad es removida por la arena y el agua limpia corre por la tubería (laterales) en la parte de abajo del filtro, para arriba de la tubería central, y de regreso para la válvula de arriba del filtro, donde el agua limpia es regresada a la piscina por la plomería mangueras.

### ADVERTENCIA

Este filtro funciona con presión alta. Cuando cualquier parte del sistema de circulación (abrazadora, bomba, filtro, válvulas, etc.) se le da servicio, aire puede entrar al sistema y puede ser presionado. Aire con presión puede causar la tapadera del filtro o la válvula de control que se separe, y esto puede causar lesiones graves, muerte, o daños de propiedad. Para evadir estos problemas, siga estas instrucciones.

1. Antes de reposicionar las válvulas y antes de empezar el ensamble, desensamble, ajuste de la abrazadera o cualquier otro servicio del sistema de circulación:
  - (a) Apague la Bomba y todos los controles automáticos para asegurarse que el sistema: no empieza a arrancar o trabajar por error cuando la estén arreglando;
  - (b) Abra la válvula de aire manualmente;
  - (c) Esperar a que toda la presión se relaje, el medidor de presión tiene que indicar cero (0).
2. Cuando se instala la abrazadera para el filtro, siga las instrucciones exactas para la tapadera del filtro y de la abrazadera.
3. Cuando el servicio a el sistema de circulación este completo, siga las instrucciones exactas del sistema para arrancar el filtro.
4. Mantenga el sistema de circulación apropiadamente. Reemplace las partes que estén dañadas y desgastadas inmediatamente (Ejemplo: abrazadora, indicador de presión, válvula, empaque, etc.).
5. Asegúrese que el filtro este instalado apropiadamente y colocado de acuerdo a las condiciones de las instrucciones.

Después de un periodo de tiempo, suciedad se va a acumular en el filtro causando una resistencia para la corriente de agua que pasa por el filtro. Esta resistencia da como resultado una disminucion en el flujo de agua y un incremento en la presión dentro de el filtro. Eventualmente el filtro de arena va a remover tanta suciedad que la presión dentro del filtro va a subir a un punto que será necesario lavar el filtro con retrolavado.

Cuando la válvula superior del filtro se ajusta a la posición “Backwash” (retrolavado), el flujo de agua es automáticamente revertida a través de manera que el flujo de agua es dirigida hacia el fondo de el filtro, y hacia a través de la cama de arena, evacuando la tierra y partículas hacia afuera por medio de la línea de basura. Cuando el “Backwash” (retrolavado) esta finalizado, la válvula tiene que ser ajustada de regreso a la posición “Filter” (“Filtro”) para que siga el filtro funcionando normalmente. La función del filtro es de remover material suspendida de el agua. El filtro no sanitiza el agua. Para obtener agua brillantemente limpia, el agua tiene que ser sanitizada y también balanceada químicamente. La química de la piscina es algo que requiere especialidad, y tiene que consultar con un especialista en esta área. Generalmente, para sanitizar la piscina apropiadamente se necesita el cloro a un nivel de 1 a 2 PPM y un pH de 7.2 a 7.6. Su sistema de filtración debe de ser diseñado de acuerdo al código local de salud. Por lo menos, tiene que estar seguro que su sistema va a mover todo el volumen de agua en la piscina por lo menos 2 veces en 24 horas.



#### **ADVERTENCIA**

Si el sistema del filtro no esta operando o no se utiliza correctamente puede ocasionar que el agua tenga poca visibilidad en la piscina. Cuando el agua tenga poca visibilidad en la piscina puede ocasionar que objetos que esten en el agua no sean detectados y si alguien nada o se tira al agua puede causar lesiones serias o muerte. Nunca nade en una piscina con agua con poca visibilidad.

## **INSTALACIÓN**

---

1. Lea y comprenda todas las instrucciones antes de tratar de instalar, operar o mantener su bomba y su sistema de filtro de arena.
2. Proveer espacio y luz para el mantenimiento de rutina. Ponga el sistema cerca de la piscina. No ponga controles eléctricos sobre el filtro. Instale los controles electricos (e.g., prendido/apagado, reloj automatico, control del systema, etc.) por lo menos 5 pies de distancia del filtro. Esto le dara suficiente area libre del filtro cuando el systema sea encendido.
3. Remueva todos los componentes individuales de la caja e inspeccione por cualquier daño visible.



**ADVERTENCIA**

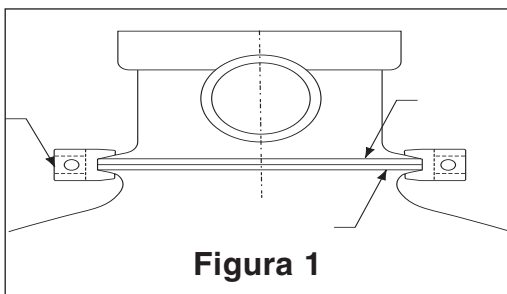
Cuando los cubiertas de drenaje (Succión Fittings) están obstruidas esto puede causar lesiones serias o fatales como ahogamiento. Para reducir el riesgo, no deje que los niños usen este producto.

**ADVERTENCIA**

Nunca trabaje en la bomba cuando esta este trabajando o con energia electrica conectada. Alto voltaje puede causar lesiones serias o fatales. Una conexión a tierra de interrupción “Ground Fault Interrupter (GFCI)” o “ interruptor de tierra automatico tiene que siempre estar instalado en la unidad de poder. Asegúrese que el motor este conectado a el poder eléctrico (AC) con una conexión a la tierra. Si el motor no tiene paso a tierra esto puede causar lesiones serias o fatales por electrocución. Nunca conecte la coneccion de tierra a una tuberia de gas.

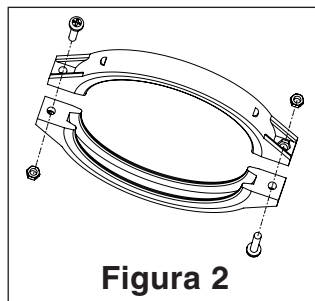
4. El filtro esta listo para moverse a su posición final. El sistema debe instalarse en un lugar con piso nivelado. Cuando el filtro esta lleno de arena y agua puede pesar varias libras.
5. Asegúrese de instalar la cantidad de arena para el filtro la cual esta sugerida en la etiqueta del filtro. Tiene que usar solamente arena No. 20 de silica que tiene un coeficiente de uniformidad de 1.75 o menos. Arena No. 20 de silica tiene un tamaño de particulares de .018-.022 pulgadas (.45 a .55 mm). Antes de poner arena en el filtro, mire adentro del filtro y mire o inspeccione por laterales del drenaje de abajo por quebraduras, daño, o sueltas, que talvez han sido accidentalmente dañadas por el correo. Cambie todas las partes que estén quebradas si es necesario.
6. Instale la guía de arena arriba del filtro y llene el filtro hasta la mitad con agua. Ponga arena adentro de la parte de arriba del filtro despacio para que el peso de la arena no haga daño a las laterales. Después de llenar el filtro hasta el nivel indicado, remueva y tire la guía de arena. Limpie toda la arena alrededor de la entrada en la parte de arriba del tanque.
7. Asegúrese que la parte de arriba del filtro este libre de arena o escombros, y que el empaque de la válvula esta en el lugar adecuado en el cuerpo de la válvula. Instale la válvula para que la posición de las aperturas estén en la posición que se necesitan. Las aperturas de la válvula están indicadas con la posicion donde tienen que estar conectadas. Por ejemplo: la conexion de la bomba debe de estar conectada al lado de donde la bomba descarga el agua, la conexion de apertura de deshecho tiene que estar conectada a la línea de deshecho y la conexion de retorno tiene que estar conectada al retorno de la piscina.

8. Asegúrese que la válvula este firmemente empujada en la parte superior de el tanque y que el borde del tanque y el borde de la válvula estén en contacto con si mismas. Observe la **Figura 1**.



**Figura 1**

9. La abrazadera de plástico ahora puede ser instalada. Ponga la mitad de la abrazadera sobre la conexión de la válvula y la conexión del tanque como esta mostrado en **Figura 1**. Ponga los tornillos de la abrazadera y tuercas, también asegúrese que las tuercas esten posicionadas en la parte hexagonal de la abrazadera. Observe la **Figura 2**.



**Figura 2**

10. Apriete los tornillos firmemente e inspeccioné visualmente la válvula del tanque y el ensamblaje de la abrazadera para asegurarse que el enchufe este correctamente ensamblado.

**ADVERTENCIA**



**Presión alta:**

Inapropiada ensambladura de la válvula del tanque puede causar que la válvula se separe y cause graves lesiones y/o mayores daños a la propiedad.

11. La unidad del filtro tiene una presión máxima para operar que esta indicada en la placa de identificación. **NO HAGA FUNCIONAR** esta unidad con la presion mas alta de la maxima presion de la valvula o el filtro. Nunca conecté el filtro y la válvula a una bomba que pueda producir una presión que sea más alta que la presión de operación del filtro o la válvula.

12. Utilicé material de sellamiento en todas las conexiones que tengan tubería que tengan cambios de diámetro y conexiones. Solo use material de sellamiento que sea apropiado para tuberías de plástico. Fije la tubería para prevenir tensión con el filtro, la bomba o la válvula. **NO USE PRODUCTOS QUE ESTEN HECHOS CON BASE DE PETROLEO. NOTA:** Todas las roscas de las valvulas internas estan disminuidas gradualmente excepto la conexión de la valvula del aire. No sobreapriete las conexiones disminuidas.
13. Instale el medidor de presión en la apertura con rosca ¼” NPT directamente enfrente de la apertura de la bomba para la válvula.
14. Nunca guarde químicos de la piscina cerca de diez (10) pies del filtro de la piscina, bomba o válvula. Químicos tienen que siempre estar guardados en áreas frescas, secas, y bien ventiladas.

**ADVERTENCIA**

Gases de sustancias químicas o derramados en el suelo pueden causar corrosión para la estructura de los componentes del filtro y bomba. Componentes con estructuras débiles pueden causar partes del filtro, bomba o válvula que se separen y pueden causar graves lesiones o daños de propiedad.

**ADVERTENCIA**

El sistema centrífugo de la bomba opera con alto voltaje eléctrico, y puede crear aspirar o drenar y presión en el sistema de agua. Cuando la bomba esta conectada apropiadamente a su plomería, esta bomba funcionara de un modo seguro.

**ADVERTENCIA**

Alto voltaje eléctrico puede causar graves lesiones o lesiones fatales. Siempre instale un interruptor de tierra GFCI “Ground Fault Interrupted” en el origen o raiz de la fuerza electrica de esta unidad como una regla de precaución. El Artículo 681-31del NEC requiere que un GFCI sea usado si esta bomba es usada con una piscina portatil que se puede guardar.

15. Evite sobreapretar las roscas de las tuberías cuando conecte la valvula o la bomba. El procedimiento apropiado requiere que el material de sellamiento sea aplicado a las roscas y después apretarlas con las manos y un vuelta. No sobre apriete las roscas.

## OPERACIÓN Y MANTENIMIENTO

### Arranque Inicial

1. Asegúrese que se use la cantidad adecuada de arena silica para el filtro en el tanque y que todas las conexiones han sido hechas y estén seguras.
2. Inspeccione que la salida de conexión donde sale el flujo este abierto para que el agua salga libremente de la piscina y que salga por la línea de corriente (“Backwash”)(Retrolavador). Seleccione la válvula de control a la posición de “Backwash”. (Retrolavado)

#### **PELIGRO**



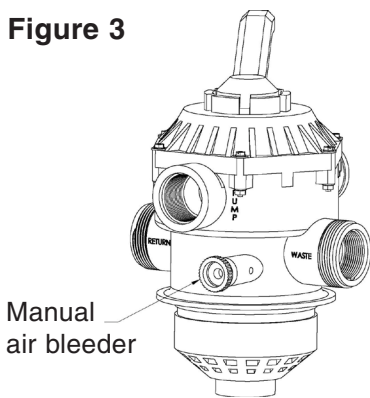
Este filtro funciona bajo presión. Con la válvula conectada apropiadamente y operada sin aire en el sistema, este filtro puede funcionar de un modo seguro. Aire que entra el filtro y a la válvula cuando no esta conectada correctamente puede causar que la válvula se separe, esto puede causar graves lesiones personales y/o daños a la propiedad.

#### **ADVERTENCIA**

Siempre apague la bomba antes de cambiar posiciones de válvula. Cambiar posiciones de válvula cuando la bomba esta funcionando puede dañar la válvula de control, esto puede causar graves lesiones o daños a la propiedad.

3. Inspeccione que la abrazadera de la valvula sobre el filtro este apropiadamente ensamblada. Nota: Verifique las instrucciones bajo “Instalación” sección de este manual para asegurarse.
4. Abra la válvula manual. Referirse a la **Figura 3** para localizar la válvula) Párese a una distancia segura del filtro. Prepare y arranque la bomba de acuerdo a las instrucciones de la bomba dejando que el tanque del filtro se llene de agua. Cierre la válvula de aire sobre el filtro cuando una corriente de agua aparezca y sea constante.
5. Una vez que la corriente de agua sea constante hacia afuera de la tubería de basura, deje trabajar la bomba por lo menos 2 minutos. Esta limpieza de regreso inicial del filtro esta recomendada para remover cualquier impureza o partículas de arena fina que se encuentran en la arena silica.

**Figure 3**



6. Apague la bomba y ponga la válvula para la posición “Rinse”(enjuague). Asegúrese que todos los drenajes de succión y las líneas de regreso estén abiertas para que el agua pueda correr libre desde la piscina hacia waste (basura). Párese a una distancia segura del filtro y empiece a trabajar la bomba.
7. Haga funcionar la bomba por lo menos dos minutos.
8. Apague la bomba y ponga la válvula en la posición “Filter”(filtrar). Asegúrese que todos los drenajes de succión y las líneas de regreso estén abiertas para que el agua pueda correr libre desde y hacia la piscina.
9. Abra la válvula manual de aire del filtro . Párese a una distancia segura del filtro y empiece a trabajar la bomba.
10. Cierre la salida de la válvula del filtro cuando un chorro de agua aparezca y sea constante.
11. Ahora el filtro a empezado el ciclo de filtraje. Verifique que el agua esta regresando a la piscina y tome nota de la presión de operación. La presión original es \_\_\_\_\_ PSI con el filtro limpio.
12. Inspeccione el sistema por escapes por donde el agua puede salir. Si encuentra un agujero en el sistema, apague la bomba antes de corregir o arreglar el agujero.
13. Cuando el filtro este removiendo la tierra y impurezas del agua de la piscina, la acumulación causara la presión del filtro que suba y la corriente del agua disminuya. Cuando el indicador de presión mide 10 PSI más alto de la medida de el filtro limpio, es tiempo para limpiar el filtro (“Backwash”) (retrolavado)..

## Mantenimiento

Con el cuidado y mantenimiento apropiado del sistema de la bomba y el filtro de arena le añadira muchos años para disfrutar su piscina. Siga las siguientes instrucciones para asegurar un periodo largo de no problemas en su sistema.

1. Para limpiar el exterior del sistema de la bomba y el filtro de basura y polvo, lavelos con agua y un detergente suave y despues enjuaguelos con una manguera de agua. No use solventes.
2. Si el interior del filtro necesita mantenimiento, la arena debera ser removida para remover el entero sistema de drenaje desde abajo del filtro y enjuagarlo con una manguera de agua del jardin.
3. El filtro es un recipiente de presión y nunca debera de darsele mantenimiento cuando este bajo presión. Siempre disminuya la presión del tanque y abra la válvula del filtro antes de empezar a dar mantenimiento el filtro.

4. Cuando empiece de nuevo el filtro siempre abra la válvula del aire manual del filtro y **RETIRESE DEL FILTRO**.
5. La canasta del colador en la bomba tiene que ser revisada y limpiada dos veces a la semana. Remueva y limpie la tapadera de la canasta, y limpie la basura depositada en la canasta. Inspeccione el anillo de la tapadera si esta danado, reemplazelo. El sello de la bomba no requiere lubricación. El motor de la bomba tiene que recibir mantenimiento solamente por un centro de servicio de mantenimiento.

## **Limpieza del Filtro**

1. El filtro de una piscina nueva debe de ser limpiado de reversa, y limpiado despues de 48 horas de funcionamiento para limpiar todos los escombros de la construcción. Existen tres diferentes maneras de identificar cuando un filtro necesita limpieza de reversa:
  - a) El indicador más exacto en el sistema de piscinas con un medidor de corriente es una limpieza de reversa cuando la corriente disminuye un 30% de la corriente original (en un filtro limpio). Por ejemplo, si la corriente original es de 60 GPM, el filtro tiene que ser lavado de reversa cuando la corriente es reducida por alrededor de 20 GPM (o un 30%) to 40 GPM.
  - b) Un más subjetivo y menos preciso indicador es de observar el contenido de agua corriendo desde las corrientes direccionales localizadas en la pared de la piscina. El filtro debe ser limpiado de reversa una vez que sea detectada la disminución de la corriente de agua.
  - c) El más comulmente usado, pero el menos exacto es el lavado de regreso cuando la medida del indicador aumenta 10 PSI sobre la medida inicial (con un filtro limpio).
2. Es importante no limpiar el filtro unicamente en bases regulares semejante a cada tres días. También es importante notar que limpiar de reversa muy frecuentemente en realidad puede causar una mediocre filtración.

## Funciones de la válvula de control y el Filtro

**Filtro “FILTER”:** De la bomba, por la válvula, por abajo por la cama del filtro, por arriba de la tubería central hacia la válvula de regreso, y de regreso para la piscina para acción normal del filtro y aspirando la piscina por el filtro.

**Limpieza “BACKWASH”:** De la bomba, por la válvula, por abajo por la tubería central, por arriba por la arena del filtro para la válvula, y para fuera por la apertura de basura. Esta posición es usada para limpiar el filtro y correr la corriente en reverso.

**Enjuague “RINSE”:** De la bomba, por la válvula, por abajo por la arena del filtro, por arriba por la tubería central para la válvula y para afuera por la apertura de basura. Esta posición es usada para limpieza inicial y reposición de la cama del filtro después de limpieza “Backwash”.

**Basura “WASTE”:** De la bomba, por la válvula, no pasa por el filtro y sigue para la apertura para la basura. Esta posición es para aspirando directamente de la suciedad, bajando el nivel de la piscina, o sacar toda el agua de la piscina.

**Cerrado “CLOSED”:** **NO HAY CORRIENTE DE AGUA EN ESTA POSICION - NO USE ESTA FUNCIÓN CUANDO LA BOMBA ESTE FUNCIONANDO.**

**Recircular “RECIRCULATE”:** De la bomba, por la válvula, no pasa por el filtro y sigue para la apertura de regreso y de regreso para la piscina. Esta posición es para circular el agua pero no pasar por el filtro.

**Preparación para el clima “WINTERIZING”:** posición de válvula para uso del filtro para el clima, lea pagina 12.

## Procedimiento de limpieza Retrolavador (“Backwash”)



### ADVERTENCIA

Perdida de uso u operación de su filtro o filtración inadecuadamente puede causar poca claridad de agua obstruyendo visibilidad en su piscina.

Poca claridad en su piscina puede ocultar objetos en la piscina, causando lesiones graves o muerte cuando nadando o tirándose a la piscina. Nunca nade en una piscina con poca claridad de agua.



### ADVERTENCIA

**Para prevenir daños al equipo y posibles lesiones, siempre apague la bomba antes de cambiar la posición de la válvula.**

1. Apague la bomba.
2. Asegúrese que la succión y línea de limpieza estén abiertas para que el agua pueda moverse libremente desde la piscina y fluir hacia afuera por la línea de limpieza de regreso (“Backwash”). Coloque la válvula de control en la posición de limpieza de reversa s”Backwash”.
3. COLOQUESE A UNA DISTANCIA SEGURA DEL FILTRO y haga funcionar la bomba.
4. Limpie de reversa el filtro por aproximadamente tres (3) minutos o hasta que el agua de la limpieza de reversa salga limpia.
5. Apague la bomba y coloque la válvula en la posición de enjuague “Rinse”.
6. COLOQUESE A UNA DISTANCIA SEGURA DEL FILTRO y haga funcionar la bomba.
7. Enjuague el filtro por aproximadamente 30 segundos.
8. Apague la bomba y coloque la válvula en la posición “Filter” (filtro).
9. Asegúrese que la línea de regreso del agua para la piscina este abierto para que el agua pueda fluir libremente desde el filtro hacia el regreso a la piscina.
10. Abra la válvula manual de aire en el filtro. COLOQUESE A UNA DISTANCIA SEGURA DEL FILTRO y prenda la bomba.
11. Cierre la válvula manual de aire del filtro cuando un chorro de agua salga constante salga por la válvula misma.
12. El filtro esta ahora empezando el ciclo de filtración. Verifique que el agua este regresando a la piscina y tome nota de la presión del filtro.
13. La presión del filtro en paso 12 no tiene que pasar la presión original observada cuando el filtro fue inicialmente encendido. Si después de limpieza “Backwash”, la presión es 4 a 6 PSI arriba de la condición de empezar, será necesario limpiar la cama de arena químicamente.



## Limpieza Quimica

1. Se recomienda usar una solución de limpieza con filtro especial. Estos limpiadores remueven aceite, sarro, corrosión y oxidación de la cama de arena en un servicio de limpieza.
2. Combine la solución siguiendo las instrucciones en las etiquetas de los fabricantes.
3. Limpie de reversa el filtro y la válvula como se describe arriba.
4. Si el filtro está debajo del nivel de la piscina, apague la bomba y cierre las válvulas apropiadas para prevenir el desague de la piscina.
5. Apague la bomba, abra el drenaje del filtro y deje que el filtro se vacíe. Coloque la válvula en la posición de limpieza de reversa "Backwash".
6. Después de que el filtro se haya vaciado, cierre el drenaje del filtro y remueva la tapadera del colador de la bomba.
7. Asegúrese de que las líneas de limpieza de reversa "Backwash" estén abiertas.
8. Prenda la bomba y suavemente eche la solución de limpieza en el colador de la bomba cuando la bomba esté funcionando. Si el filtro está debajo de la piscina, abra la válvula ligeramente para permitir que la bomba funcione.
9. Continúe echando la solución hasta que la cama de arena esté saturada con la solución de limpieza.
10. Apague la bomba y deje el filtro en la posición de limpieza de reversa "Backwash". Deje el filtro en esa posición durante la noche (12 horas).
11. Reemplace la tapadera de la bomba y siga las instrucciones de limpieza de reversa "Backwash" como se describe arriba.
12. No permita que la solución de limpieza caiga sobre la piscina.

## Prepare su filtro para el invierno



Dejar que agua se convierta a hielo en el sistema, dañara el sistema y causara daño de agua/flooding y daño a propiedad causada por agua.

1. En áreas donde el agua se puede convertir en hielo durante el invierno, la piscina tiene que estar preparada para el invierno para proteger el sistema.
2. Limpie el filtro “Backwash”(retrolavado). Apague la bomba y ponga la posición de la válvula en la posición “Winterize”(preparar para el invierno).
3. Remueva el tapon de la apertura del drenaje inferior del filtro.

**NOTA IMPORTANTE: Remueva la tapadera del drenaje solo para sacar agua del filtro. Remover toda la conexión dejara que también se salga la arena. El filtro vaciara el agua el solo. Deje el tapon de la apertura del drenaje en un lugar seguro durante el tiempo que el sistema este apagado.**



La válvula multipuertos debe de ser dejado en la posición de “Winterize” (climatizado) durante la temporada que el sistema este apagado para que el empaque de la válvula diversificadora no tenga presión. Si esto no se hace esto puede causar daño a el empaque de la válvula diversificadora, y esto podría causar daño de propiedad.

4. Saque toda el agua del sistema de la tuberia.
5. Es recomendado que la bomba y filtro sean cubiertos con un lona o cubierta de plástico para que no se deterioren por el clima. NO envuelva o cubra el motor de la bomba con plástico.
6. En instalaciones donde el agua no se puede sacar de la bomba una solución de 40% Propylene Glycol y 60% solución de agua protegerá hasta -50 F (-45.5 C).

**Nota:** No use solución para prevenir que el agua se congele “anti-freeze”(anti-congelamiento), solo use Propylene Glycol; otras soluciones de “anti-freeze” (anti-congelamiento)son toxicas y van a dañar la bomba.

# GUÍA PARA LA IDENTIFICACIÓN DE PROBLEMAS

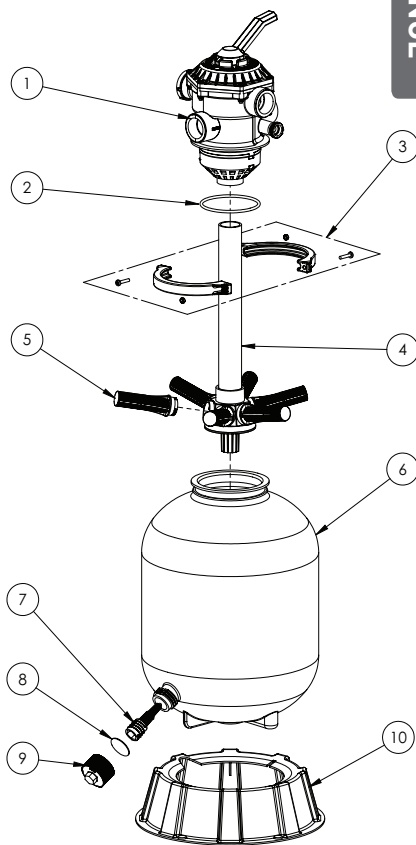
| Problema                                                               | Causa                                                                                                                                                                                                                                                                                                                                             | Solucion                                                                                                                                                                                                                                                                                                                                                                                                                                                                                                                |
|------------------------------------------------------------------------|---------------------------------------------------------------------------------------------------------------------------------------------------------------------------------------------------------------------------------------------------------------------------------------------------------------------------------------------------|-------------------------------------------------------------------------------------------------------------------------------------------------------------------------------------------------------------------------------------------------------------------------------------------------------------------------------------------------------------------------------------------------------------------------------------------------------------------------------------------------------------------------|
| <p><b>El agua de la piscina no esta lo suficientemente limpia.</b></p> | <ol style="list-style-type: none"> <li>1. La química de la piscina no es adecuada para inhibir o impedir el crecimiento de algas.</li> <li>2. Limpieza de reversa ("Backwash") muy frecuente.</li> <li>3. Incorrecta cantidad de arena o tamaño equivocado.</li> <li>4. Giro de velocidad inadecuado del ciclo del agua de la piscina.</li> </ol> | <p>Darle mantenimiento a la piscina con sustancias químicas o consulte a un técnico de servicio.</p> <p>Permita que la presión se acumule a 10 psi sobre la condición del filtro limpio antes de hacer una limpieza de reversa ("Backwash").</p> <p>Inspeccione la profundidad de la cama de arena y el tamaño de la arena o consulte con el técnico de servicio de la piscina.</p> <p>Haga funcionar el sistema por un tiempo más largo o consulte con el distribuidor o con el técnico de servicio de la piscina.</p> |
| <p><b>Alta presión del filtro.</b></p>                                 | <ol style="list-style-type: none"> <li>1. Insuficiente Limpieza de reversa ("Backwash").</li> <li>2. La cama de arena tapada con depósitos minerales.</li> <li>3. Válvula parcialmente cerrada o restringida.</li> </ol>                                                                                                                          | <p>Haga o realice una limpieza de reversa ("Backwash") hasta que el chorro de agua salga transparente.</p> <p>Limpie el filtro con sustancias químicas.</p> <p>Abra la válvula o remuera la obstrucción en la tubería de retorno.</p>                                                                                                                                                                                                                                                                                   |

## Guía para la identificación de problemas (Cont.)

|                                                                                         |                                                                                                                                                                                                                                                                                                                           |                                                                                                                                                                                                                                                                                                                                                                                                                   |
|-----------------------------------------------------------------------------------------|---------------------------------------------------------------------------------------------------------------------------------------------------------------------------------------------------------------------------------------------------------------------------------------------------------------------------|-------------------------------------------------------------------------------------------------------------------------------------------------------------------------------------------------------------------------------------------------------------------------------------------------------------------------------------------------------------------------------------------------------------------|
| <p><b>Ciclos cortos del filtro.</b></p>                                                 | <ol style="list-style-type: none"> <li>1. Incorrecta Limpieza de reversa (“Backwashing”).</li> <li>2. La química de la piscina no es adecuada para inhibir o impedir el crecimiento de algas.</li> <li>3. La cama de arena esta tapada o atascada.</li> <li>4. La velocidad de la corriente es demasiado alta.</li> </ol> | <p>Lave por corriente hasta que el chorro de agua salga transparente.</p> <p>Darle mantenimiento a la piscina con sustancias química o consulte con el técnico de servicio de la piscina.</p> <p>Manualmente quite una 1 in. de la superficie superior de la cama de arena y haga una limpieza de sustancias químicas según sea necesario.</p> <p>Restrinja o limita la corriente de la capacidad del filtro.</p> |
| <p><b>La corriente de regreso a la piscina disminuida, baja presión del filtro.</b></p> | <ol style="list-style-type: none"> <li>1. Obstrucción en el colador de la bomba de pelusa y cabello.</li> <li>2. Obstrucción de la bomba.</li> <li>3. Obstrucción en la tubería de succión a la bomba.</li> </ol>                                                                                                         | <p>Limpie el canasto en el colador.</p> <p>Desmonte o desarme y limpie la bomba.</p> <p>Limpie la canasta de la espumadora (“Skimmer”).</p> <p>Remueva la obstrucción en las tuberías.</p> <p>Abra las válvulas en la tubería de succión.</p>                                                                                                                                                                     |
| <p><b>Arena de regreso a la piscina.</b></p>                                            | <ol style="list-style-type: none"> <li>1. Lateral debajo del drenaje quebrado.</li> <li>2. Velocidad de limpieza de reverso (“Backwash”) demasiado alta.</li> </ol>                                                                                                                                                       | <p>Reponga o sustituya el lateral dañado o roto.</p> <p>Reduzca la velocidad de la corriente de limpieza de reversa (“Backwash”).</p>                                                                                                                                                                                                                                                                             |

## Partes de repuesto para filtros

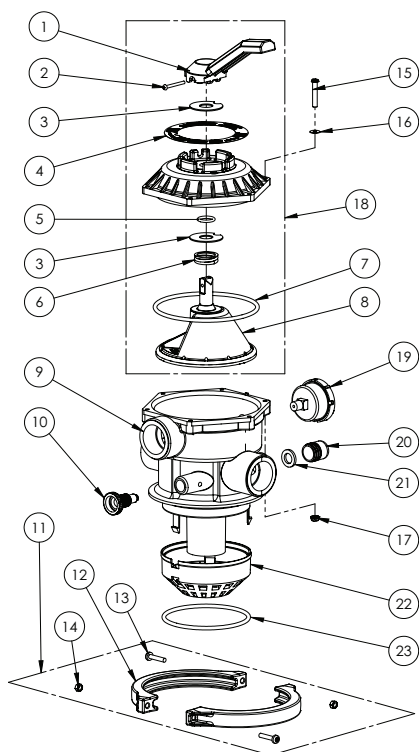
| Artículo N.º | Descripción                                                         | Sand Dollar Parte N.º | Cristal-Flo Parte N.º |
|--------------|---------------------------------------------------------------------|-----------------------|-----------------------|
| 1            | Válvula, 1.5" (Consultar página 16 para ver detalles de la válvula) | 262506                |                       |
|              | Válvula, 2" (Consultar página 17 para ver detalles de la válvula)   | 263085                |                       |
| 2            | Junta tórica, Cuerpo de válvula                                     | 272541                |                       |
| 3            | Ensamblaje de abrazadera                                            | 152165                |                       |
| 4            | Ensamblaje de tubería - SD/CFII 35                                  | 152229                |                       |
|              | Ensamblaje de tubería - SD/CFII 40                                  | 152228                |                       |
|              | Ensamblaje de tubería - SD/CFII 60                                  | 152227                |                       |
|              | Ensamblaje de tubería - SD/CFII/ ClearPro 80                        | 152226                |                       |
|              | Ensamblaje de tubería - SD/CFII 80 c/ válvula híbrida, 2"           | 152238                |                       |
| 5            | Lateral - SD/CFII 35, 40 (cantidad 6)                               | 150084                |                       |
|              | Lateral - SD/CFII 60, 70, 80 (cantidad 6)                           | 150085                |                       |
|              | Lateral - ClearPro (cantidad 6)                                     | 150088                |                       |
| 6            | Ensamblaje de tanque - SD/CFII 35                                   | 145339                | 145364                |
|              | Ensamblaje de tanque - SD/CFII 40                                   | 145341                | 145365                |
|              | Ensamblaje de tanque - SD/CFII 60                                   | 145343                | 145366                |
|              | Ensamblaje de tanque - SD/CFII/ ClearPro 80                         | 145334                | 145370                |
| 7            | Drenaje para arena                                                  | 154711                |                       |
| 8            | Junta, Drenaje para arena                                           | 154715                |                       |
| 9            | Tapa para drenaje                                                   | 154712                |                       |
| 10           | Pie - SD/CFII 35, 40                                                | 154926                |                       |
|              | Pie - SD/CFII 60, 70, 80                                            | 154520                |                       |
| *            | Manómetro                                                           | 190059                |                       |
| *            | Kit de manguera flexible, 6'                                        | 155151                |                       |
| *            | Kit de manguera flexible, 12'                                       | 155005                |                       |



(\*) - No se muestra

## 1.5" Partes de repuesto de la válvula

| Artículo N.º | Parte N.º | Descripción                                    |
|--------------|-----------|------------------------------------------------|
| 1            | 272520    | Mango                                          |
| 2            | 272405    | Tornillo, Mango                                |
| 3            | 272505    | Arandela, Plástico (se necesitan 2)            |
| 4            | 272599    | Etiqueta de posición de válvula                |
| 5            | 272511    | Junta tórica, Eje del desviador                |
| 6            | 272535    | Resorte, 100 lb, 1-3/8 diám. ext.              |
| 7            | 354053    | Parte superior de junta tórica                 |
| 8            | 272512    | Desviador c/junta                              |
| 9            | 272530    | Cuerpo de válvula y difusor                    |
| 10           | 273512    | Purgador de aire c/junta tórica                |
| 11           | 152165    | Ensamblaje de abrazadera <sup>1</sup>          |
| 12           | 152166    | Media abrazadera (se necesitan 2)              |
| 13           | 152168    | Tornillo de abrazadera (se necesitan 2)        |
| 14           | 152167    | Tuerca de abrazadera (se necesitan 2)          |
| 15           | 354541    | Tornillo N.º 10-24 SS (se necesitan 6)         |
| 16           | 272555    | Arandela 9/16 SS (se necesitan 6)              |
| 17           | 272554    | Tuerca dentada (se necesitan 6)                |
| 18           | 272531    | Ensamblaje superior de la válvula <sup>2</sup> |
| 19           | 190059    | Manómetro                                      |
| 20           | 272550    | Mirilla de vidrio                              |
| 21           | 271106    | Junta, Mirilla de vidrio                       |
| 22           | 272518    | Difusor                                        |
| 23           | 272541    | Junta tórica para cuerpo de válvula            |
| *            | 272517    | Manual de válvula                              |



### Nota:

(\*) No se muestra

(<sup>1</sup>) El ensamblaje de abrazadera comprende los artículos 12 a 14.

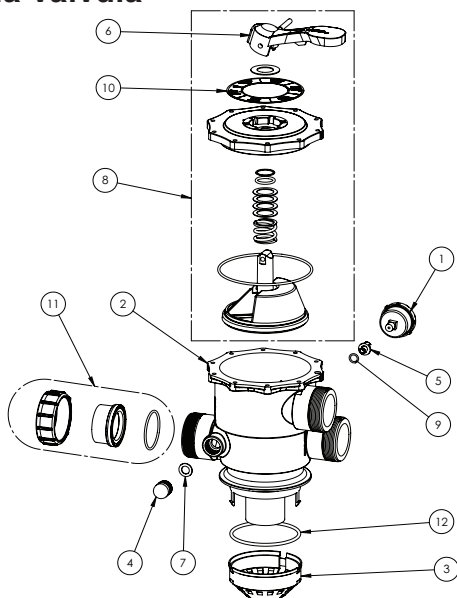
(<sup>2</sup>) El ensamblaje de la parte superior de la válvula comprende los artículos 1 a 8 y el número de parte 272517 del manual de válvula.

## 2” Partes de repuesto de la válvula

| Artículo N.º | Parte N.º | Descripción                                      |
|--------------|-----------|--------------------------------------------------|
| 1            | 190059    | Manómetro                                        |
| 2            | 270210Z   | Cuerpo de válvula                                |
| 3            | 272541    | Difusor                                          |
| 4            | 272556Z   | Mirilla de vidrio                                |
| 5            | 272557Z   | Tapón de drenaje                                 |
| 6            | 272558Z   | Mango                                            |
| 7            | 272567Z   | Junta, Mirilla de vidrio                         |
| 8            | 272568Z   | Ensamblaje superior de la válvula <sup>(1)</sup> |
| 9            | 272573Z   | Junta tórica con drenaje                         |
| 10           | 272576Z   | Etiqueta de posición de válvula                  |
| 11           | 272590Z   | Kit de uniones                                   |
| 12           | 274402Z   | Junta tórica para cuerpo de válvula              |

### Nota:

- (1) El ensamblaje de la parte superior de la válvula comprende los artículos 6 a 10.





1620 HAWKINS AVE., SANFORD, NC 27330 • (919) 566-8000  
10951 WEST LOS ANGELES AVE., MOORPARK, CA 93021 • (805) 553-5000  
WWW.PENTAIRPOOL.COM

Todas las marcas comerciales y los logotipos de Pentair son propiedad de Pentair o de una de sus empresas globales asociadas. Sta-Rite®, Sand Dollar® and Cristal-Flo™ son marcas comerciales y/o marcas registradas de Pentair Water Pool and Spa, Inc. y/o sus empresas asociadas en los Estados Unidos y/u otros países. A menos que se indique expresamente, los nombres comerciales y las marcas de terceros que puedan haber sido utilizados en este documento no indican una asociación o respaldo entre los propietarios de estos nombres comerciales y marcas y Pentair Water Pool and Spa, Inc. Esos nombres comerciales o marcas pueden ser marcas comerciales o marcas registradas de estos terceros. Debido a que estamos constantemente mejorando nuestros productos y servicios, Pentair se reserva el derecho de modificar las especificaciones sin previo aviso. Pentair es un empleador que ofrece igualdad de oportunidades.

© 2017 Pentair Water Pool and Spa, Inc. Todos los derechos reservados. Este documento está sujeto a cambios sin previo aviso.



P/N 152006 REV. D 8/18/17